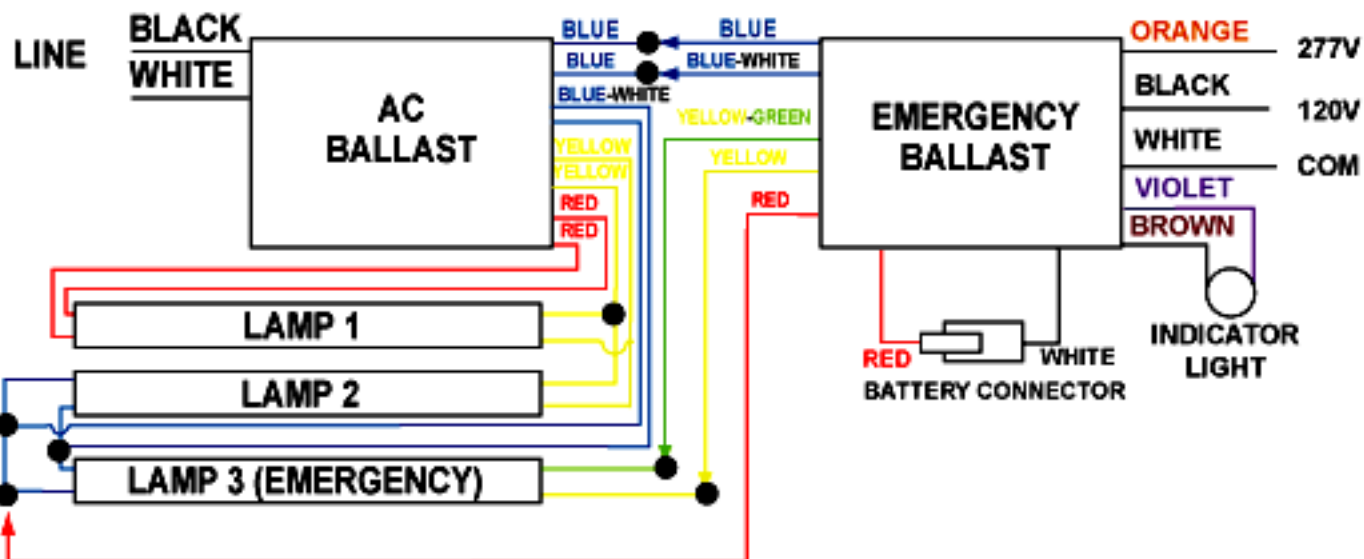


### I. THREE (3) LAMP RAPID START ELECTRONIC BALLAST

TO UNSWITCHED AC  
USE PROPER TAP  
INSULATE UNUSED LEADS



### J. FOUR (4) LAMP INSTANT START ELECTRONIC BALLAST

TO UNSWITCHED AC  
USE PROPER TAP  
INSULATE UNUSED LEADS

