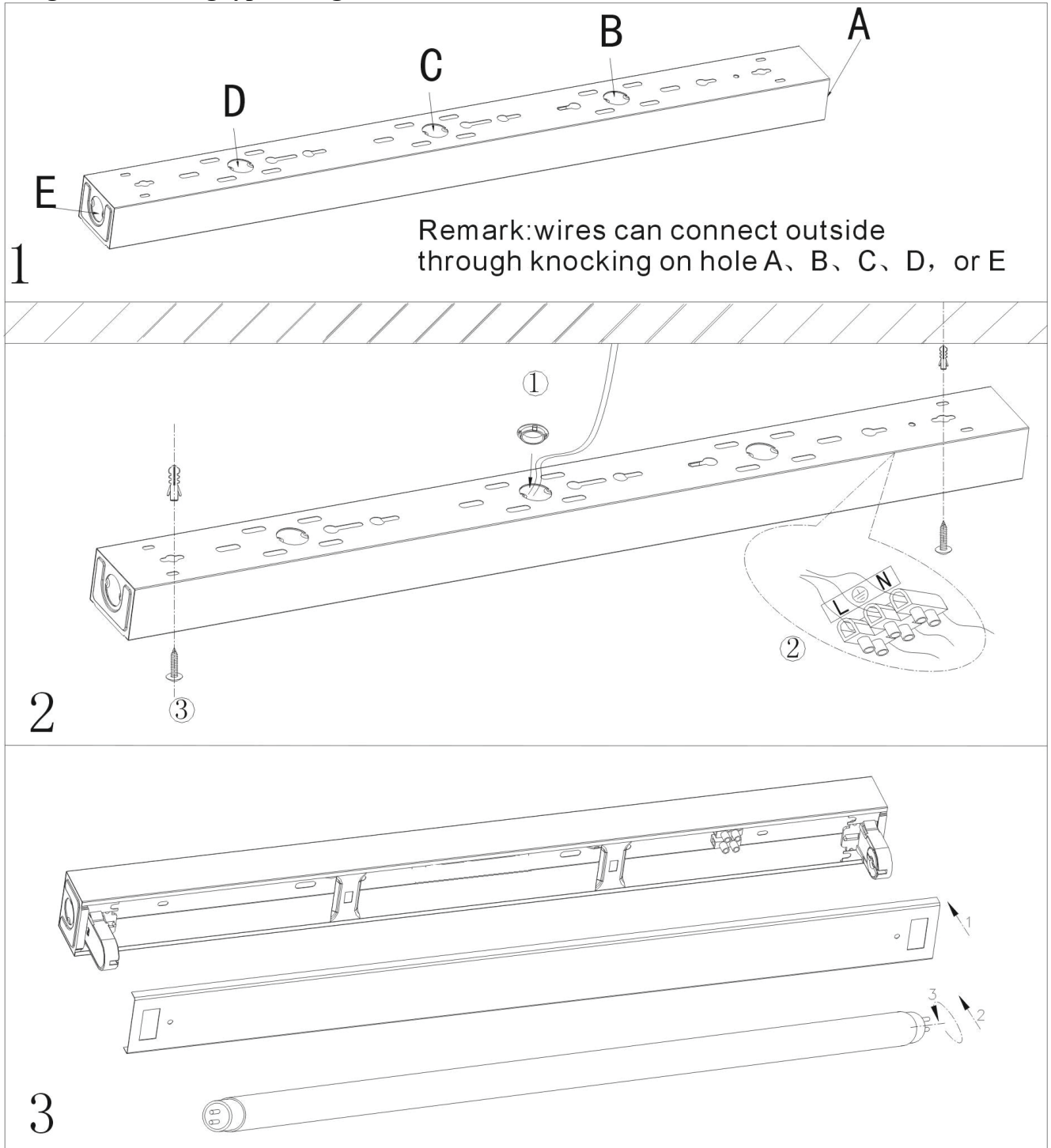


INSTALL INSTRUCTIONS OF DOUBLE-ENDED BYPASS LED HOUSING

Please read the instructions carefully before installation

1. The fixture must not be installed above high-temperature devices. Do not install the fixture above a stove, gas line, or vent pipe to avoid any possibility of an accidental fire.
2. Turn off the power before installing or replacing the LED tube. Do not alter the fixture or replace the original parts. This will avoid accidents involving the fixture/LED tubes falling, fire, or electrical shock.

Install diagram for ceiling type fitting



Maintenance of the fixture

1. In order to use the fixture safely and efficiently, clean the fixture regularly. Turn off the power before cleaning.
2. Wipe the fixture with a soft cloth damp with soap and water. Dry with a clean soft cloth. Do not wipe with oil, diluents, or other volatile liquids.