

## LED Retrofit Luminaire Conversion Kits

The units covered in this report are intended to retrofit Type IC or NON-IC covered ceiling recessed luminaire with through-branch wiring marked "Max. 8 of 12AWG conductors" for 30778C- 30778E - 33752A - 33753A with instructions to remove the existing trim and lampholder bracket.

These products are Classified as to FIRE and SHOCK hazards only.

### Warning

WARNING – RISK OF FIRE OR ELECTRIC SHOCK. LED RETROFIT KIT INSTALLATION REQUIRES KNOWLEDGE OF LUMINAIRES ELECTRICAL SYSTEMS. IF NOT QUALIFIED, DO NOT ATTEMPT INSTALLATION. CONTACT A QUALIFIED ELECTRICIAN.

WARNING – RISK OF FIRE OR ELECTRIC SHOCK. DO NOT ALTER, RELOCATE, OR REMOVE WIRING, LAMPHOLDERS, POWER SUPPLY, OR ANY OTHER ELECTRICAL COMPONENT.

WARNING – RISK OF FIRE OR ELECTRIC SHOCK. INSTALLATION OF THIS RETROFIT ASSEMBLY REQUIRES A PERSON FAMILIAR WITH THE CONSTRUCTION AND OPERATION OF THE LUMINAIRE'S ELECTRICAL SYSTEM AND THE HAZARDS INVOLVED. IF NOT QUALIFIED, DO NOT ATTEMPT INSTALLATION. CONTACT A QUALIFIED ELECTRICIAN.

WARNING – RISK OF FIRE OR ELECTRIC SHOCK. INSTALL THIS KIT ONLY IN THE LUMINAIRES THAT HAVE THE CONSTRUCTION FEATURES AND DIMENSIONS SHOWN IN THE PHOTOGRAPHS AND/OR DRAWINGS. DO NOT MAKE OR ALTER ANY OPEN HOLES IN AN ENCLOSURE OR ELECTRICAL COMPONENTS DURING KIT INSTALLATION.

WARNING – TO PREVENT WIRING DAMAGE OR ABRASION. DO NOT EXPOSE WIRING TO EDGES OF SHEET METAL OR OTHER SHARP OBJECTS.

MIN. LAMP COMPARTMENT DIMENSIONS 5.5in -140mm (DIA) X 7.4in -188mm (H)

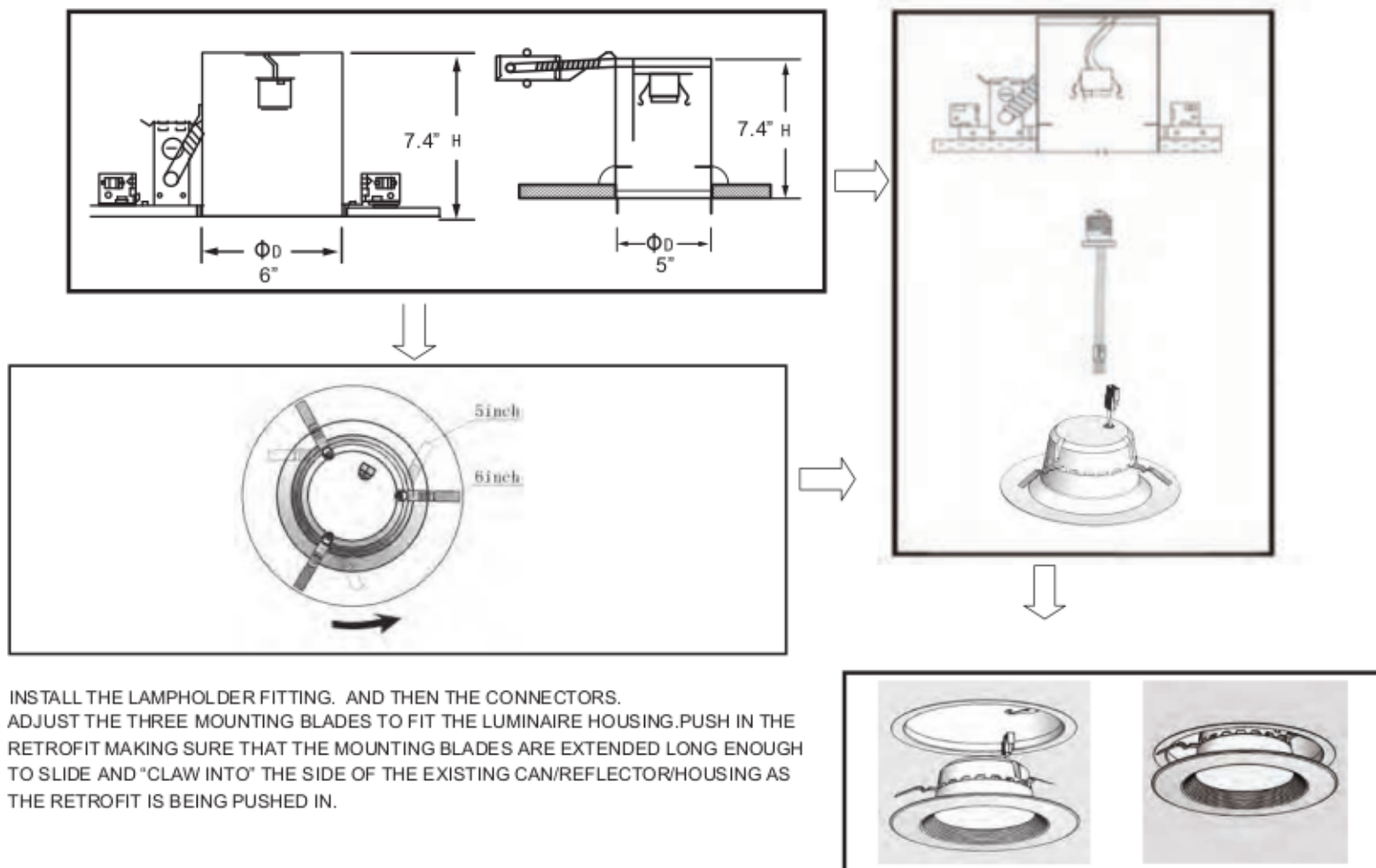
CAUTION: SHOCK AND FIRE HAZARD, DO NOT USE WHEN ENCLOSURE IS BROKEN. SUITABLE FOR TYPE IC OR NON-IC LUMINAIRES. SUITABLE FOR WET LOCATIONS.

## Installation Instruction

BEFORE INSTALLING THESE PRODUCTS OR DOING ANY MAINTENANCE, MAKE SURE TO TURN OFF THE POWER SUPPLY. THESE RETROFITS CAN FIT E26 LAMP HOLDERS. PLEASE CHECK THE LAMP BASE BEFORE USE. IF THE LUMINAIRE IS NOT PROVIDED WITH THIS KIND OF LAMP HOLDER, DO NOT INSTALL THE RETROFIT. THESE RETROFITS CAN BE USED WITH DIMMERS.

Model	Input Voltage (V)	Input Frequency (Hz)	Input Current (A)	Input Watts (W)
30778C- 30778E - 33752A - 33753A	120	60	0.162	18.5

THESE RETROFITS CAN FIT 5 INCH OR 6 INCH RECESSED LUMINAIRES. CHECK THE DIMENSION OF RECESSED LUMINAIRE AND THE LAMP HOLDER TYPE TO SEE IF THE RETROFIT CAN FIT THE HOUSING.



INSTALL THE LAMP HOLDER FITTING, AND THEN THE CONNECTORS. ADJUST THE THREE MOUNTING BLADES TO FIT THE LUMINAIRE HOUSING. PUSH IN THE RETROFIT MAKING SURE THAT THE MOUNTING BLADES ARE EXTENDED LONG ENOUGH TO SLIDE AND "CLAW INTO" THE SIDE OF THE EXISTING CAN/REFLECTOR/HOUSING AS THE RETROFIT IS BEING PUSHED IN.

TURN ON THE LIGHT.