

LED WALL PACK ADJUST



Specifications

Item	- 33742B
Model	- LED WALL PACK ADJUST
Fixture Type	- LED
Input Voltage	- 120-347V
Watts	- 21/28/35W Selectable
Width	- 6.49" (164.9 mm)
Length	- 8.08" (205.3 mm)
Base Length	- 5.38" (136.7 mm)
Color Temp	- 3/4/5K Selectable
CRI	- 80
Lumen	- 2730/3640/4550 lm
Power Factor	- ≥0.9
Dimmable	- Yes, 0-10V (Used By Internal Wattage Switch)
Wet Location	- Yes
Life	- 50,000
Surge Protection	- 4KV
Beam Spread	- 100°H X 60°V

Note

Read carefully before installation.

This LED Wall-Packs light uses the latest in solid state lighting technology for long life, low maintenance, and high efficiency. An internal power-factor-corrected switch-mode supply allows it to be used from any nominal 120V-347V, 50/60Hz AC supply without any variation in light output. Suitable for use in the following locations:

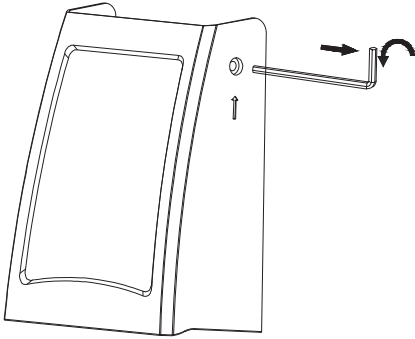
- Ambient Temp: -40°C +50°C (-40°F to 122°F)
- Wet Locations

Warning

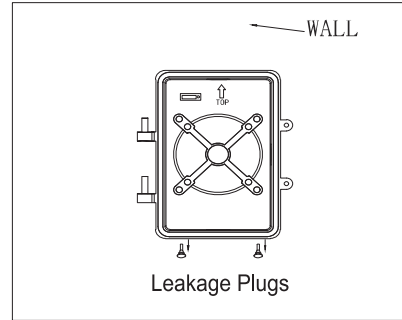
- To avoid the risk of fire or electric shock, this product should be installed, inspected, and maintained by a qualified electrician. In accordance with all applicable electrical codes.
- Be certain electrical power is OFF before and during installation and maintenance.
- Luminaire must be connected to a wiring system with an equipment-grounding conductor.



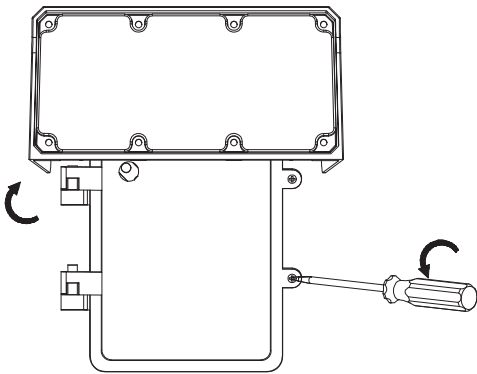
LED WALL PACK ADJUST



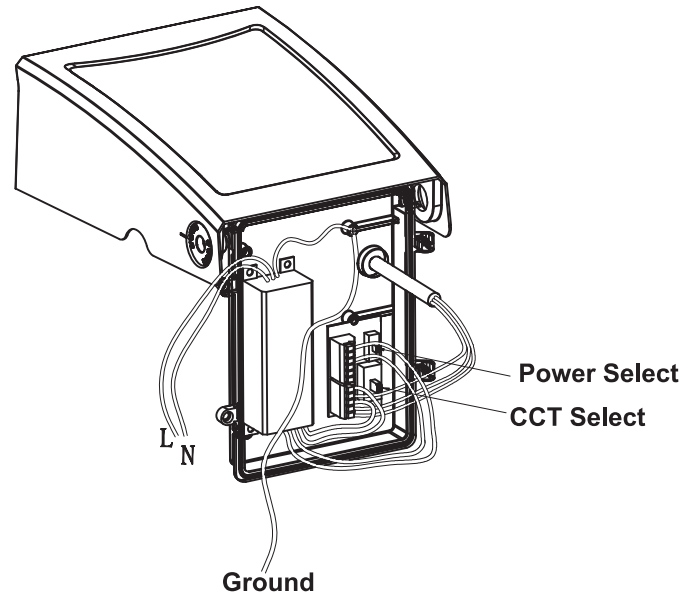
Step 1: Loosen the M6 Screw on the front Fixture housing.



Step 4: Drill holes according to the size of junction box. Use the level bubble to level the cover and fix it to a sturdy wall. Remove the 2 leakage plugs.



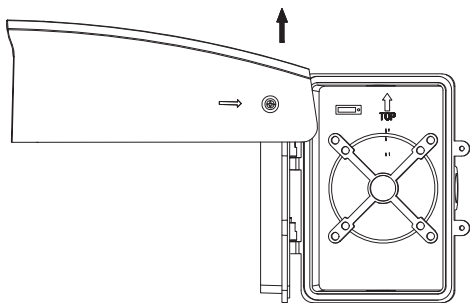
Step 2: Use screw driver to open the driver box.



Step 5: Select desired CCT & Power by DIP switch.

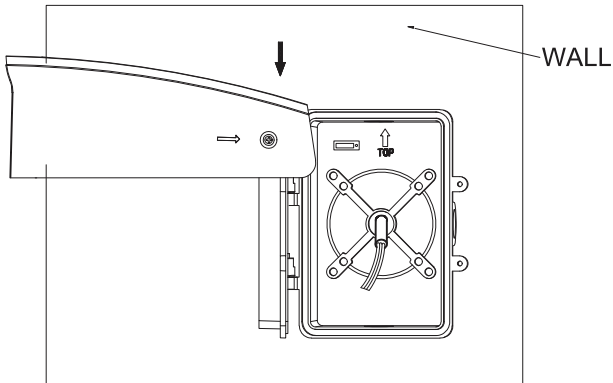
CCT: 5000K(Default)-4000K-3000K

WATT: 35W(Default)-28W-21W

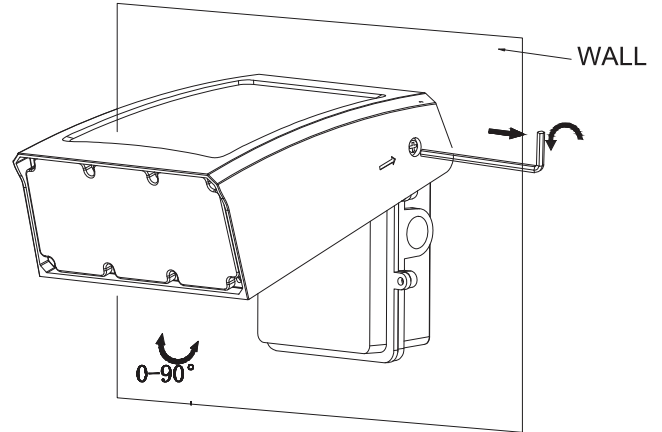


Step 3: Remove the fixture front housing from driver box.

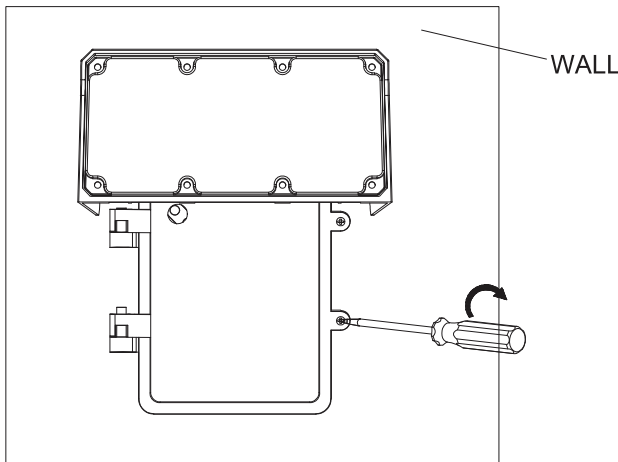
LED WALL PACK ADJUST



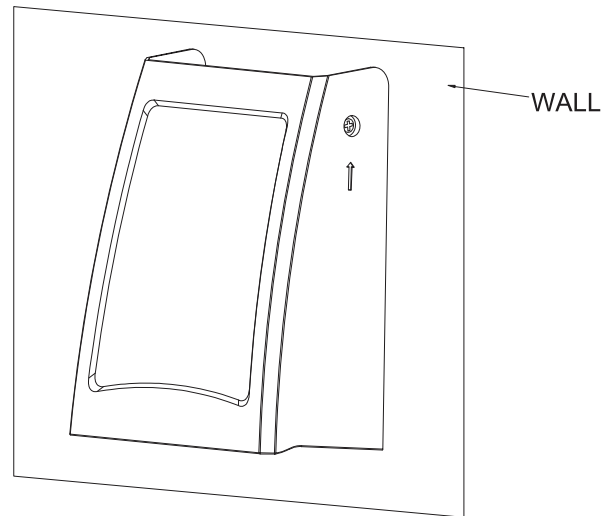
Step 6: Attach the fixture front housing with driver box.
Connect L,N,G wires.



Step 8: Adjust the Fixture front housing to desired angle and tighten the M6 screw.



Step 7: Tighten the 2 sides screws.



Step 9: Installation is completed.

Wiring Diagram

