

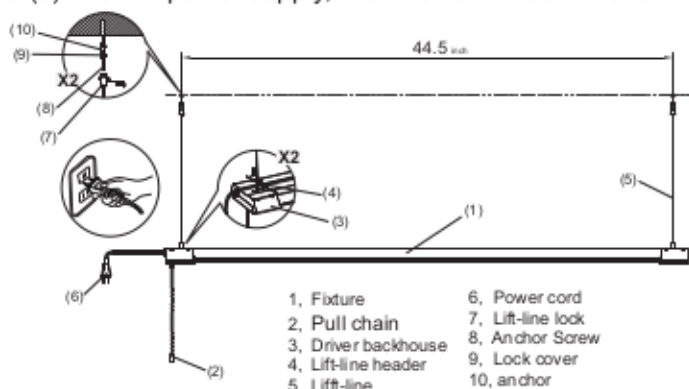


WARNING

1. Ensure power is off before starting installation, wiring or attempting any maintenance should be performed by a person familiar with the construction and operation of the product and hazards involved to ensure personal safety.
2. All work should be performed by a qualified electrician.
3. The ceiling should have the enough strength for installing the fixture; Its endurance must be more than the weight of fixture.

Installation

- 1, Turn off the power
- 2, Drill the two holes using the appropriately sized drill bit. Insert the provided anchors (10) into the holes.
- 3, Locate the Lock cover(9) over the holes, Then secure the anchor screws (8) to the anchors (10)
- 4, Secure the Lift-line lock to the Lock cover(9) by tighten the Lift-line lock.
- 5, Put the Lift-line header(4) through the Driver backhouse(3) and slide the the lift-line header to left or right.
- 6, Plug the power cord (6) into the power supply, then Pull chain down to turn on.



Optional surface mounting

Securing fixture to ceiling

- Once the head of the screw is in beyond the opening gently slide the fixture to the right or left to secure it in place
- You may need to adjust the depth of both screws to get a tight fit.

