

Specifications

Item	- 33907F
Model	- LED Canopy Lowprofile 60W/5K
Bulb Type	- LED
Watts	- 60 watts
Input Voltage	- 120-277VAC 60Hz
UL Rating	- Suitable for Wet Locations
Dimmable	- No
Height	- 3.15 inches (80mm)
Width	- 9.53 inches (242mm)
Length	- 9.53 inches (242mm)
Kelvin Color	- 5000
CRI	- 70
Lumens	- 8000
Average Life Hours	- 50,000
Ambient Operating Temp.	- -40°F ~ 104°F (-40°C ~ 40°C)

Caution

- This fixture must be wired in accordance with the National Electrical Code (NEC) and applicable local ordinance. Proper grounding is required to ensure personal safety. Carefully observe grounding procedure under the installation section.
- Make certain power is OFF before starting the installation or attempting any maintenance. Risk of fire/electric shock. If not qualified, consult a licensed electrician.
- Disconnect power at fuse or circuit breaker before installing or servicing.
- RISK OF BURN - Disconnect power and allow the fixture to cool before servicing.
- RISK OF PERSONAL INJURY - Fixture may become damaged and/or unstable if not installed properly. Make sure all fixture components are securely tightened.

Precaución

- Este accesorio debe estar conectado de acuerdo con el National Código Eléctrico (NEC) y ordenanzas locales aplicables. Apropiado Se requiere conexión a tierra para garantizar la seguridad personal. Cuidadosamente observe el procedimiento de conexión a tierra en la sección de instalación.
- Asegúrese de que la alimentación esté apagada antes de comenzar la instalación o intentando cualquier mantenimiento. Riesgo de incendio / descarga eléctrica. Si no calificado, consulte a un electricista con licencia.
- Desconecte la energía en el fusible o en el interruptor de circuito antes de instalar o servicio.
- RIESGO DE QUEMADURAS: desconecte la alimentación y permita que el dispositivo se enfríe antes de dar servicio
- RIESGO DE LESIONES PERSONALES: el accesorio puede dañarse y / o inestable si no se instala correctamente. Asegúrese de que todos los accesorios. Los componentes están bien apretados.



NOTICE

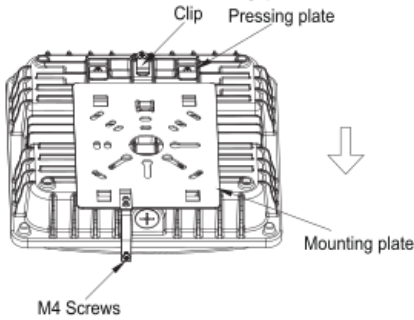
Any alteration or modification of this product is expressly forbidden as it may cause serious personal injury, death, property damage and/or product malfunction.

This luminaire is designed to operate in ambient temperatures ranging from -40°C to 40°C (-40°F -to104°F) and to be horizontally mounted with the LEDs facing down.

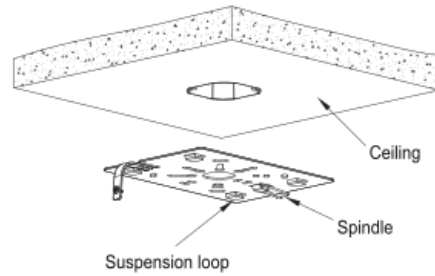
This product is not suitable for several special environments, such as places with corrosive gas liquids or high pressure water vapor.

J-Box Installation

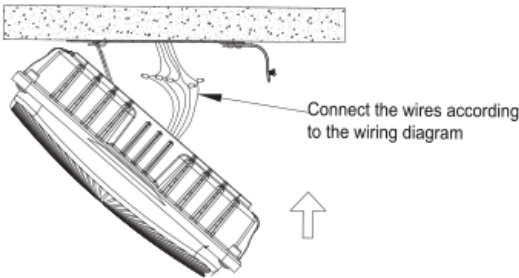
1. Loosen and remove the side M4 screws which are used to fix the mounting plate



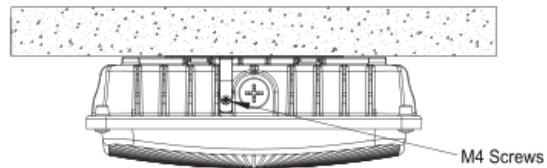
2. Fix the mounting plate to the ceiling with the screws.



3. Connect the clip on the fixture to the spindle of the mounting plate to make sure the fixture will not slip and fall. Connect the line voltage to the wires coming out from the fixture following the wiring diagram. Push the pressing plate into the suspension loop on the mounting plate.

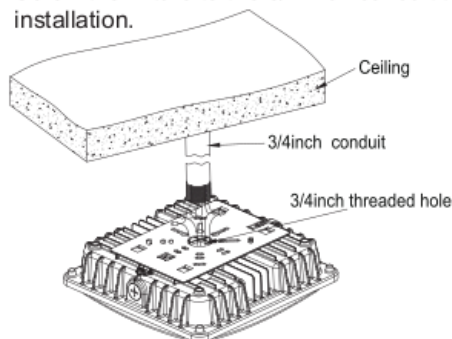


4. Lock the M4 screws to complete the installation.

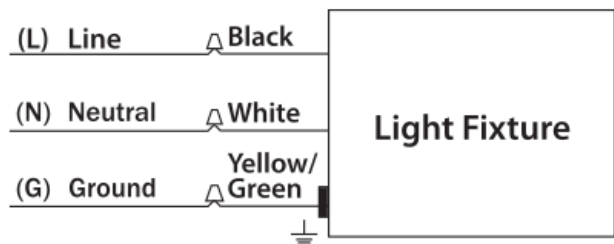


Conduit Installation

1. Connect the line voltage to the wires coming out from the fixture following the wiring diagram.
2. Screw the fixture to the 3/4 inch conduit to complete the installation.



Wiring Diagram



Wiring diagram