

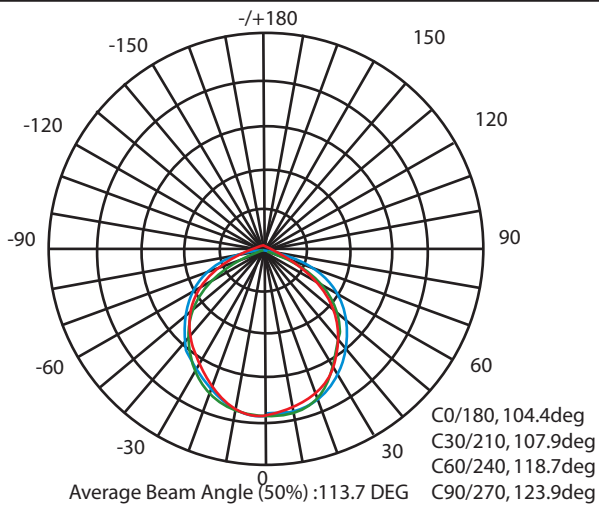
DAMAR®

LED LAYIN 2X4 42W/4K

5
YEAR
LIMITED WARRANTY

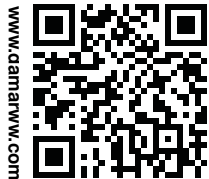
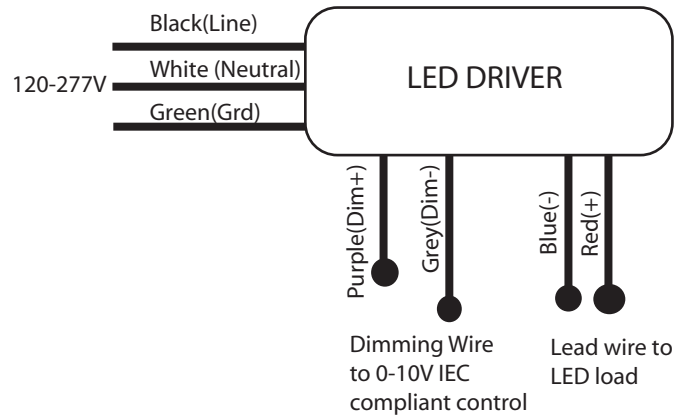


PHOTOMETRICS



WIRING DETAILS

General Wiring Diagram



www.damar.com

33957A LED LAYIN 2x4
42W/4K



LISTED
E362711

Wattage: 42W
CCT: 4000K
CRI: 80
Avg Hours: 50,000
Avg Lumens: 4410
Voltage: 120-277V
Hertz: 50/60Hz

DAMAR®

805 N Carnation
Aurora, MO 65605
Made in China

LED LAYIN 2X4 42W/4K



WARNING

To Reduce the risk of death, personal injury or property damage from fire, electric shock, falling parts, cuts/abrasions, and other hazards read all warnings and instructions included with and on the fixture box and all fixture labels.

Before installing, servicing, or performing routine maintenance upon the equipment, follow these general precautions.

Commercial installation: If you are unsure about the installation or maintenance of the luminaires, consult a qualified licensed electrician and check your local electrical code.

To prevent wiring damage or abrasion, do not expose wiring to edges of sheet metal or other sharp objects.

Do not make or alter any open holes in an enclosure of wiring or electrical components during kit installation.

Turn off electrical power at fuse or circuit breaker box before wiring fixture to the power supply.

Turn off the power when you perform any maintenance.

Verify that supply voltage is correct by comparing it with the luminaire label information.

All Wiring Connections should be capped with UL approved wire connectors.



CAUTION

Avoid direct eye exposure to the light source while it is on.

Account for small parts and destroy packaging material, as they may be hazardous to children.

Do not risk burn. Disconnect power and allow fixture to cool before changing bulb or handling fixture.

Notice: Green Ground Screw provided in proper location. Do not relocate.

Notice: Minimum 90 supply conductors

Notice: Specifications and dimensions subject to change without notice.

Notice: Suitable for dry or damp location, type IC

INSTALLATION STEPS:

Figure 1: Bend out mounting tab 90 degrees on each corner.

Figure 2: Use side cutters to adjust each tab to height of T-grid.

Figure 3: Lay fixtures into T-grid.

Figure 4: Bend tabs flush against T-grid in order to clear corner for ceiling tile.

Figure 5: Use a #8x1/4" sheet metal screw to fasten fixture to T-grid and use a hanger wire to tie off appropriately in accordance with local building codes. (screws and hanger wires supplied by others.)

Figure 6: Ensure that the wiring of the last fixture in the row is properly terminated. Then make all electrical connections to the fixture. Attach the wiring access cover plate.

Figure 1

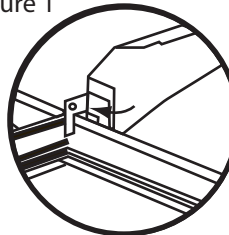


Figure 2

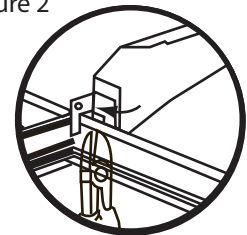


Figure 3

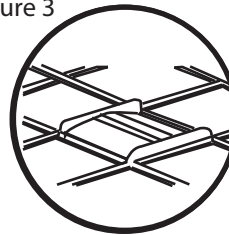


Figure 4

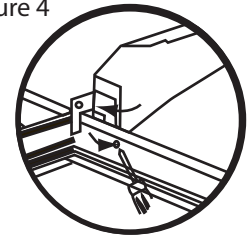


Figure 5

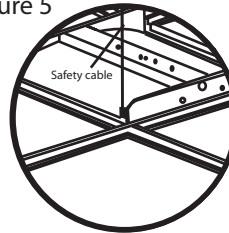


Figure 6

