

NOTICE

DO NOT install this fixture outdoors.

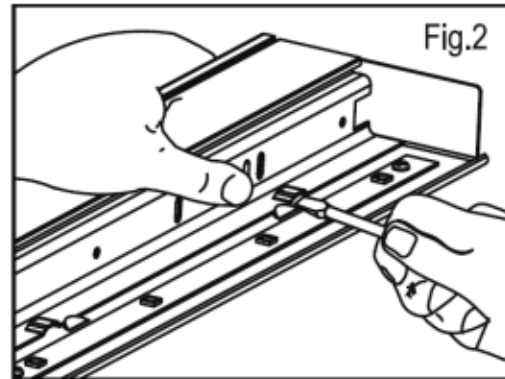
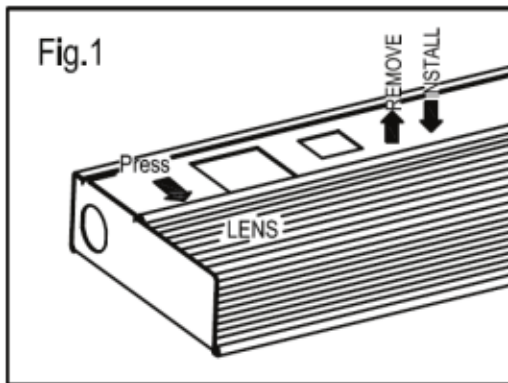
DO NOT let power cords touch hot surface.

DO NOT mount near gas or electric heaters.

The use of accessory equipment is not recommended by the manufacturer. This may cause unsafe conditions.

Installation

1. Remove the lens from housing.
2. Remove top cover by hand or use a flat tip screwdriver (Figure 2)
3. Remove the knockout carefully. Insert the flexible conduit connector inside the fixture and tighten the nut. Tighten two screws on connectors after completing the final wiring.
4. Knockout key holes on the back of fixture housing for mounting.
5. Locate and mount the fixture on appropriate surface.
6. Make AC supply wire connection. (See wiring diagram below)
7. Install the top cover, ensure all wires and connectors are put back inside the fixture cover.
8. Install the lines back after completing installation.



Wiring Diagram

WIRING DIAGRAM

