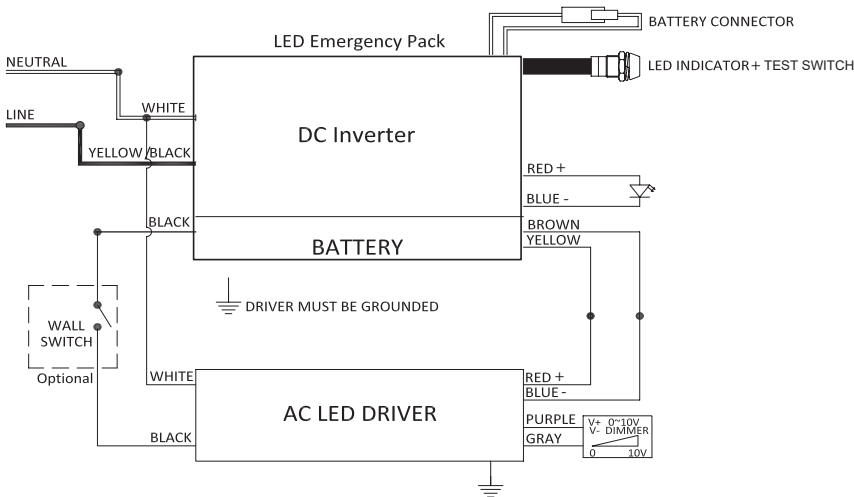


EMERGENCY DRIVER W/ FLEX TUBE



Specifications

Item	- 35514A
Model	- LEDD120-277V/15-55V-20W
Input Voltage	- 120 -277 50/60Hz AC
Output Voltage	- 15-55 VDC
Input Current	- 70mA Max
Output Current	- 380mA Max
Min Duration Time	- 90 Minutes
Ambient Temp Range	- 32°F to 131°F (0°C to 55°C)
Watts	- 20W Max
Length	- 13.3" (337.82mm)
Width	- 2.42" (61.5mm)
Height	- 1.52" (38.7 mm)
Mounting Length	- 12.79" (324.866 mm)
Battery type	- LiFePO4
Battery Voltage	- 9.6
Charge Current	- 210mA
Charge Time	- 48 Hrs
Maximum wiring distance (at full load)	is 18AWG/18 feet.



Emergency Driver Yellow Wire to Fixture Driver (+) Output
 Emergency Driver Brown Wire to Fixture Driver (-) Output
 Emergency Driver Red Wire to Fixture (+) LED Input
 Emergency Driver Blue Wire to Fixture (-) LED Input

Caution

- This fixture must be wired in accordance with the National Electrical Code and applicable local ordinance. Proper grounding is required to insure personal safety. Carefully observe grounding procedure under installation section.
- RISK OF FIRE/ELECTRIC SHOCK. If not qualified, consult an electrician.
- Disconnect power at fuse or circuit breaker before installing or servicing
- RISK OF PERSONAL INJURY--Fixture may become damaged and/or unstable if not installed properly. Be sure to tighten fixture components correctly.

Precaución

- Este accesorio debe cablearse de acuerdo con el Código Eléctrico Nacional y la ordenanza local aplicable. Se requiere una conexión a tierra adecuada para garantizar la seguridad personal. Observe cuidadosamente el procedimiento de conexión a tierra en la sección de instalación.
- RIESGO DE INCENDIO / CHOQUE ELECTRICO. Si no está calificado, consulte a un electricista.
- Desconecte la energía en el fusible o disyuntor antes de instalación o mantenimiento
- RIESGO DE LESIONES PERSONALES: el accesorio puede dañarse o inestarse si no se instala correctamente. Asegúrese de apretar los componentes del accesorio correctamente.



(Tc ≤ 60°C)

