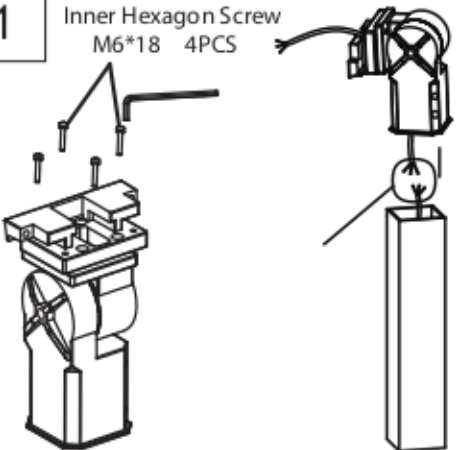


Slip Fitter Installation (Included)

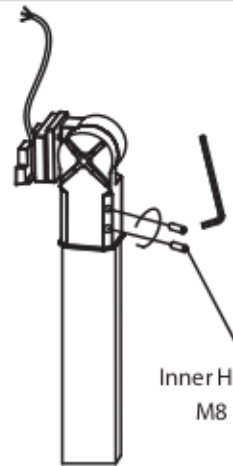
1

Inner Hexagon Screw
M6*18 4PCS



Ensure power is shut off to fixture.
Use hexagon wrench to assemble the connected plate on the Slip Fitter and connect the wires. See wiring diagram.

2

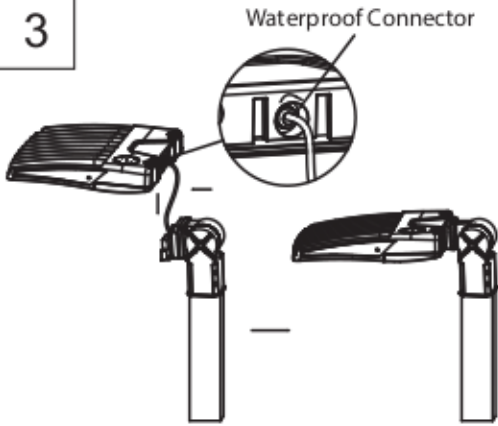


Inner Hexagon Screw
M8 * 16 2pcs

Use hexagon wrench to Lock it on the pole with two screws.

3

Waterproof Connector



Loosen the waterproof connector, insert into the power cable, and then hang the fixture on the SF.