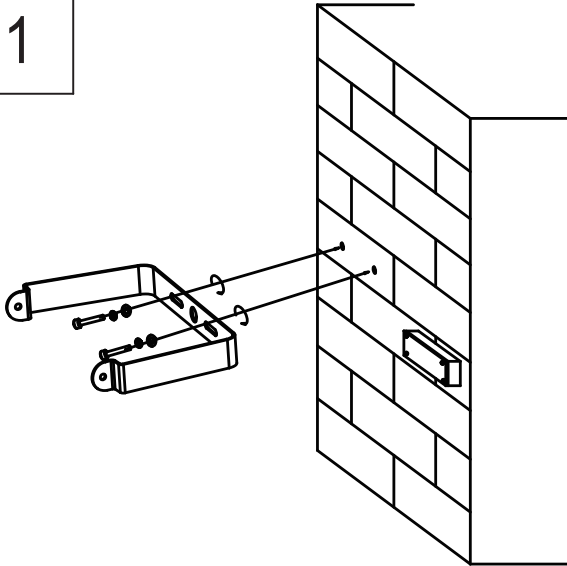


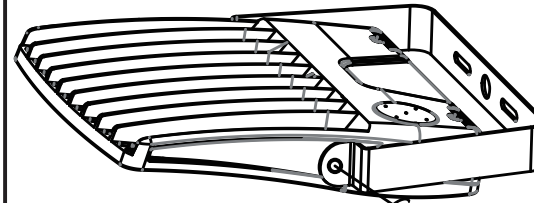
Trunnion Mount Installation

1



Ensure power is shut off. Drill two holes on the wall and mount the bracket on the wall.

2



Flat Washer
M8 2pcs

Spring Wahser
M8 2pcs

Inner Hexagon Screw
M8*20 2pcs

Use hexagon wrench to mount the bracket on the fixture.