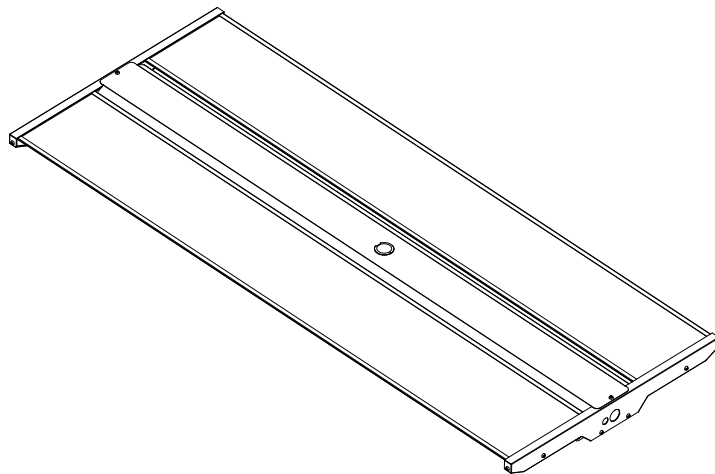


# Specification

---

Item - **35600C**  
Model - **LED T-BAY 4FT WATT/CCT Selectable**  
Bulb Type - **LED**  
Input Voltage - **120-277VAC 50-60Hz**  
Watts - **210/255/300W**  
Length - **46.5"(1181mm)**  
Width - **18.9"(480mm)**  
Height - **2.2"(54.8mm)**  
Color Temp - **4000K/5000K**  
CRI - **≥ 80**  
Lumen - **28350/34425/40500lm**  
Lumen efficacy - **135lm/w**  
Power factor - **≥ 0.9**  
Finish - **White**  
Dimmable - **Yes, 0-10V**  
Damp location - **Yes**  
Life - **50,000 Hours**  
Ambient Operating Temp - **-4°F to 122°F (-20°C to 50°C)**  
Surge Protection - **2KV**  
Average Beam Angle - **110°**  
- **Motion sensor optional**



---

**35600C**  
**LED T-BAY**

**DAMAR**<sup>®</sup>  
805 N Carnation Drive  
Aurora, MO 65605

Lighting  
the World

# Installation Instruction

## WARNING

- To reduce the risk of death, personal injury or property damage from fire, electric shock, falling parts, cuts/abrasions, and other hazards read all warnings and instructions included with and on the fixture box and all fixture labels.
- Before installing, servicing, or performing routine maintenance upon this equipment, follow these general precautions.
- Commercial installation, service, and maintenance of luminaires should be performed by a qualified licensed electrician.
- For the installation: If you are unsure about the installation or maintenance of the luminaires, consult a qualified licensed electrician and check your local electrical code.
- To prevent wiring damage or abrasion, do not expose wiring to edges of sheet metal or other sharp objects.
- Do not make or alter any open holes in an enclosure of wiring or electrical components during kit installation.

## WARNING

- Turn off electrical power at fuse or circuit breaker box before wiring fixture to the power supply.
- Turn off the power when you perform any maintenance.
- Verify that supply voltage is correct by comparing it with the luminaire label information.
- All wiring connections should be capped with UL approved wire connectors.

## CAUTION

- Avoid direct eye exposure to the light source while it is on.
- Account for small parts and destroy packing material, as these may be hazardous to children.
- Risk of burn. Disconnect power and allow fixture to cool before changing bulb or handling fixture.

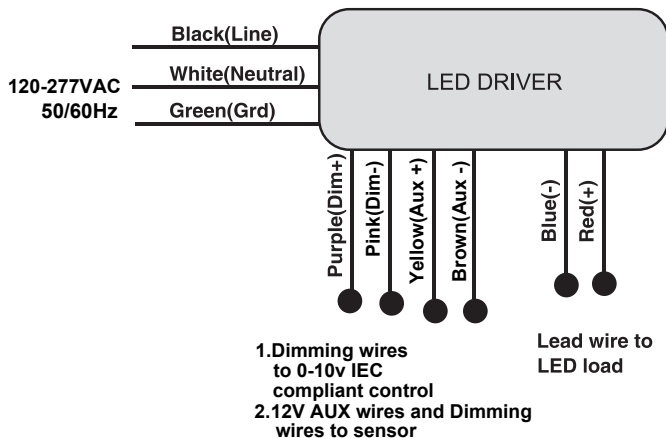
**NOTICE:** Green ground screw provided in proper location. Do not relocate.

**NOTICE:** Minimum 90° supply conductors.

**NOTICE:** Specifications and dimensions subject to change without notice.

**NOTICE:** Suitable for Dry or Damp location.

## General Wiring Diagram

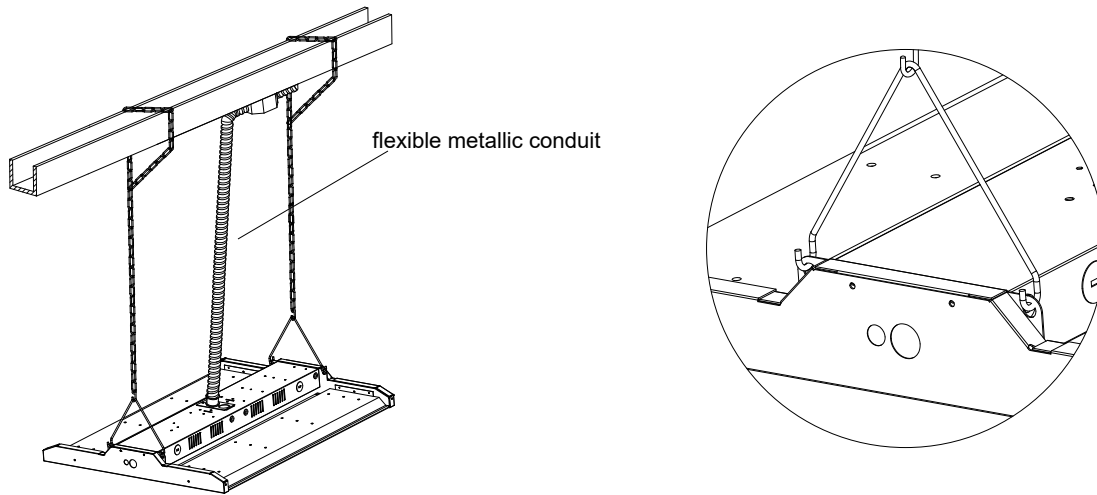


**35600C**  
**LED T-BAY**

**DAMAR**<sup>®</sup> Lighting  
805 N Carnation Drive  
Aurora, MO 65605  
the World

# Installation Instruction

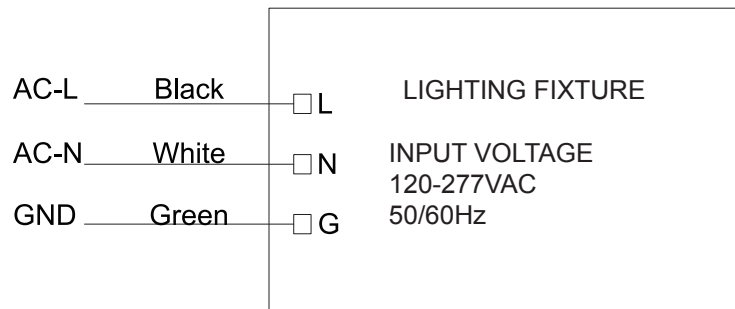
## Chain Kit



### Installation Step:

**Always turn off the power supply from main circuit breaker first!**

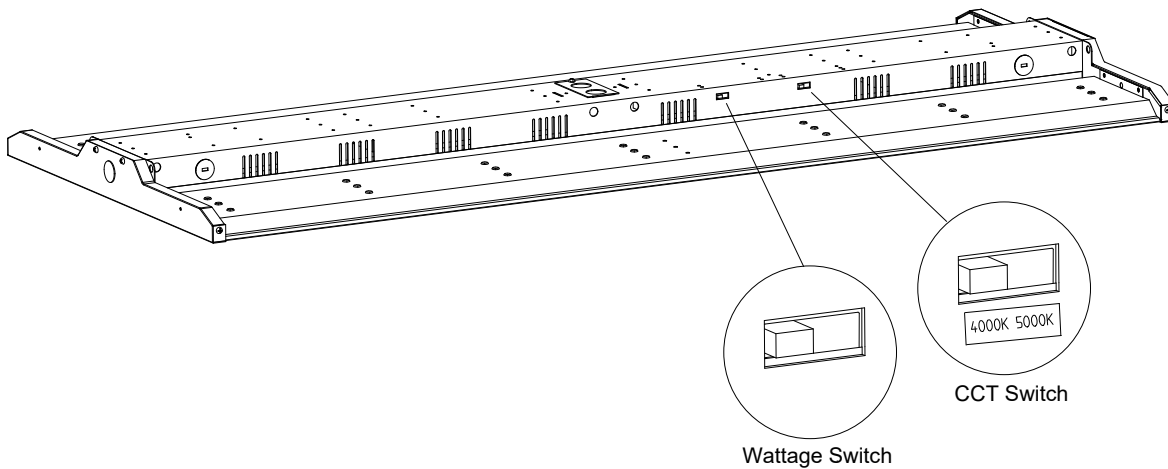
- Remove the new LED fixture from packaging and inspect for any damages. Handle new LED fixture with care.
- CHAIN MOUNT EXAMPLE; Install the chain into the provided wire hanger. Secure the other end of the chain to a structure using hardware rated for the load. Install the wire hangers onto the sides of the LED driver compartment, making sure the wire hangers are fully engaged.
- Connect the LED high bay wiring to the supply wiring. Generally, black to black, white to white, and green to ground.  
\*\*NOTE: Purple and pink lead wires inside the driver compartment are 0-10V(low voltage) dimming leads. Connect to dimming low voltage wiring only.
- Clean all residues/fingerprints from the new LED high bay and lens. Double check all hanging hardware before moving onto the next installation.



# Installation Instruction

---

## Field-Adjustable Wattage & CCT



The end users may adjust the color temperature and lumen output respectively by the two DIP switch. The power switch has three options (left, middle, and right), and the color temperatures switch has two options (left and right), corresponding to three powers and two color temperatures respectively, which can perform the desired color temperature and lumen output combination.

1. DIP switches are located on one side of the driver box.
2. Select a wattage and color temperature by sliding switch left or right respectively to the desired value.