

5. According to the need, adjust the projection angle, angle adjustment range; (Figure 9)

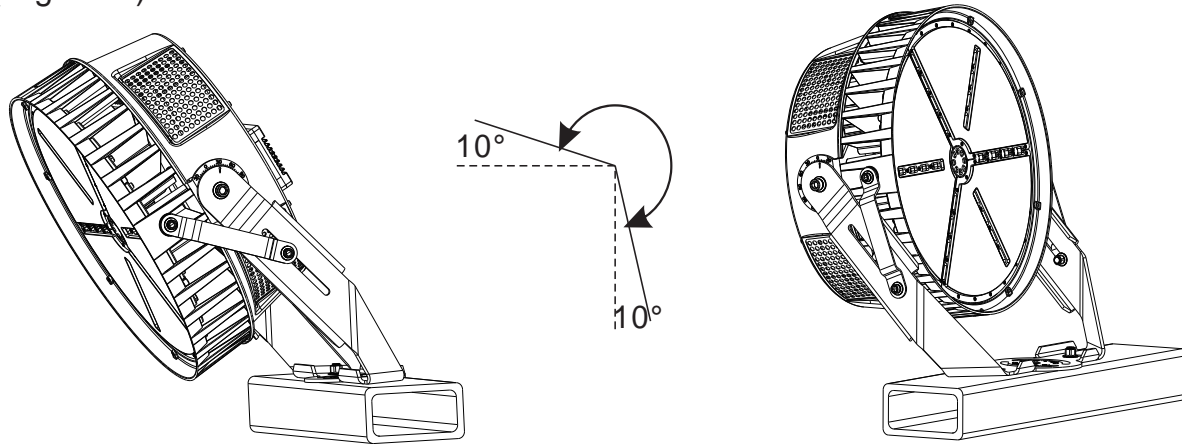


Figure 9

6. Complete the projection angle adjustment and lock the adjustment screw;
7. According to the previous wiring diagram and select one desired method for wiring.

Notice: Please use listed water proof strain relief bushing when connection the supply cord to the outlet box.

Flood mounting method II (disc holder installation):

1. According to the need to adjust the lighting direction, can be 360 degrees rotation adjustment, tightened with screws when the adjustment is completed (Figure 10);

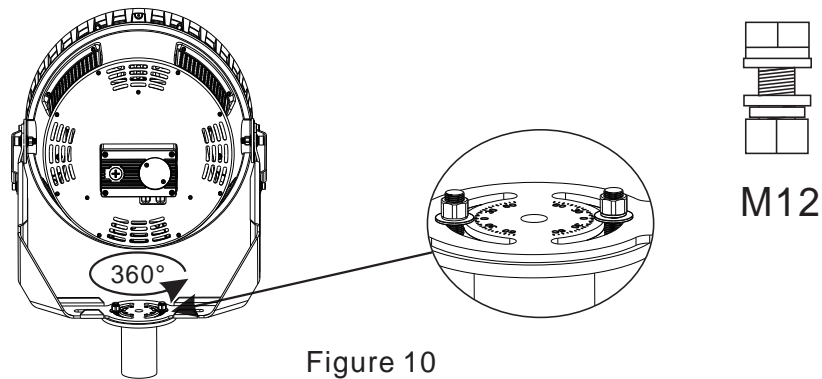


Figure 10

2. Use an open-end wrench and hex wrench to loosen the adjusting screw for adjusting the angle (Figure 11)

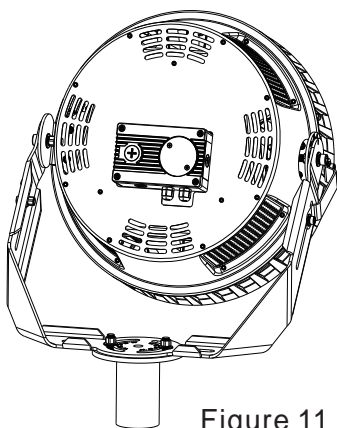


Figure 11

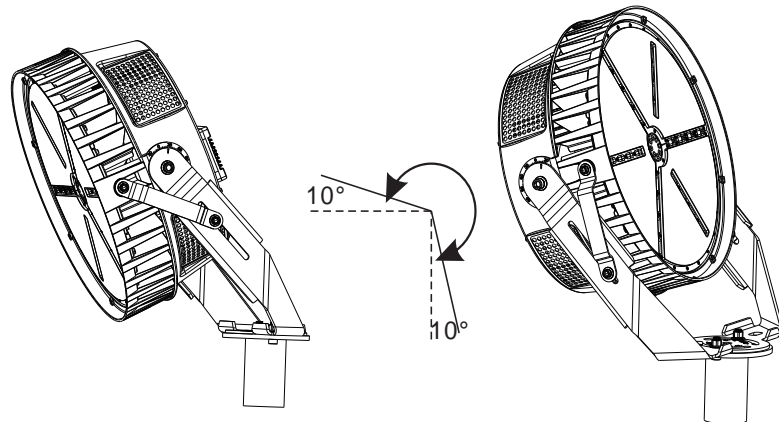


Figure 12