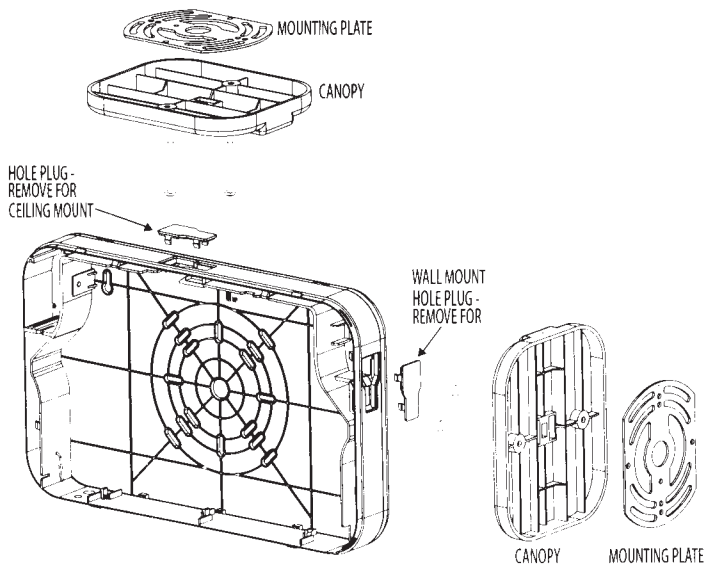


35693B LED EXIT SIGN RED/GREEN

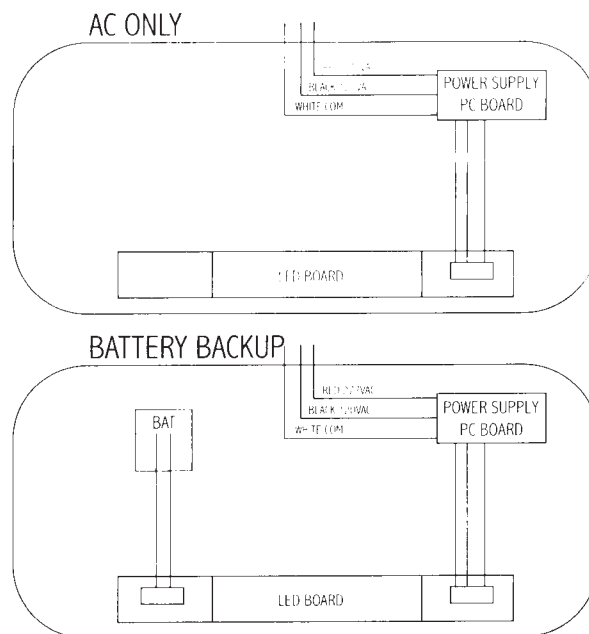
READ AND FOLLOW ALL SAFETY INSTRUCTIONS

CEILING OR END MOUNT INSTALLATION:

1. Remove EXIT stencil faceplate from housing. Remove RED lens from faceplate(see fig.A). Set aside.
2. Place screws(provided) in holes on the canopy.
3. Remove the desired mounting hole plug located on the frame of the sign. For ceiling mount, hole plug will be located on the top of the housing. For end mount, hole will be located on the side of the housing.
4. Place canopy tab through the mounting hole of the housing until the flat portion of the canopy is touching the housing frame. Lock the canopy into place by sliding the canopy, without turning, toward smaller end of the mounting hole until the tab is fully engaged and locked into place. Once canopy is in the locked position there will not be any side-to-side movement of the canopy.
5. Route EXIT input wires through canopy and through metal mounting plate.
6. Make wiring connection. For 120V, use black and white wires. For 277V, use red and white wires.
WARNING: Properly insulate the unused lead with a wire nut(provided) or other approved means.
7. Push wire connections into the J-Box. Secure mounting to junction box(hardware not included).
8. Secure the canopy to the steel mounting plate with screws installed in step 2.
9. Toggle the switchable to select GREEN if applicable(see Fig.C).
10. Remove knockout chevron(s) on faceplate, as needed. Re-insert RED lens to faceplate(see Fig.A) (or GREEN if applicable, see Fig.B). Secure EXIT stencil faceplate back onto housing.
11. Connect battery.
12. Apply continuous AC power, LED indicator will be RED.
13. Press "TEST" button to check operation.(See operation battery back-up for testing procedures)



WIRING DIAGRAMS:



OPERATION (battery backup):

1. Apply AC power to the unit. The LED indicator will be RED.
2. After the battery has been left to charge for 24 hours, test the unit by pushing the switch. The LED indicator turns OFF and the LED board stays ON.
3. When the switch is released, the LED indicator turns back to RED and LED board stays ON.

MAINTENANCE:

Caution: Always turn off AC power to the equipment before servicing. Servicing should be performed only by a qualified service technician. Use only MANUFACTURER supplied replacement parts.

BATTERY:The battery supplied with the EL model requires no maintenance. However, it should be tested periodically and replaced when it no longer operates the connected sign for the duration of a 30-second or 90-minute test. The battery supplied in this sign has a typical life of 5 years when used in a normal ambient temperature of 72°F.

IMPORTANT CODE COMPLIANCE INFORMATION

In accordance with NFPA 101(current Life Safety Code), documented testing of your emergency lighting system must be tested monthly for a minimum of 30 seconds and annually for 90 minutes. Refer to your local codes for any additional requirements that may apply.

SAVE THESE INSTRUCTIONS
and deliver to owner after installation