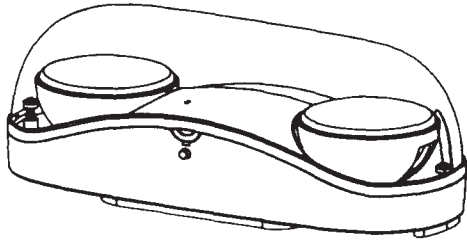


35694C LED EMERGENCY COMBO - ROUND WET LOCATION

READ AND FOLLOW ALL SAFETY INSTRUCTIONS



WARNING:

1. Installation, service and maintenance should be performed by a qualified licensed electrician.
2. Make all electrical and grounded connections in accordance with national electrical code and any applicable local code requirement.
3. Disconnect power at fuse or circuit breaker before installing or servicing.

CAUTION:

The battery in this unit may not be fully charged after electricity is connected. Let the connected battery charge for at least 24 hours for normal operation. To test, press the push-to-test switch, the light inside the unit should then turn on.

IMPORTANT SAFEGUARDS:

When using electrical equipment, basic safety precautions should always be followed including the following:

READ AND FOLLOW ALL SAFETY INSTRUCTIONS:

1. Review the diagrams thoroughly before beginning.
2. All electrical connections must be in accordance with local codes, ordinances, and the National Electric code.
3. Disconnect power at fuse or circuit breaker before installing or servicing.
4. Do not mount in hazardous locations, or near gas or electric heaters.
5. Do not let power cords touch hot surface.
6. Equipment should be mounted in locations and at heights where it will not be subjected to tampering by unauthorized personnel.
7. The use of accessory equipment not recommended by the manufacturer may cause an unsafe condition.
8. Do not use this equipment for other than intended use.
9. All servicing should be performed by a qualified personnel only.
10. Allow battery to charge for 24 hours before first use.

WIRING DIAGRAM (see Fig 1)

AC Wiring

When using 120V AC, connect the black wires to the building utility. If using 277VAC, connect the red wires to building utility. Connect neutral wire to White lead. Unused wires must be capped using enclosed wire nuts.

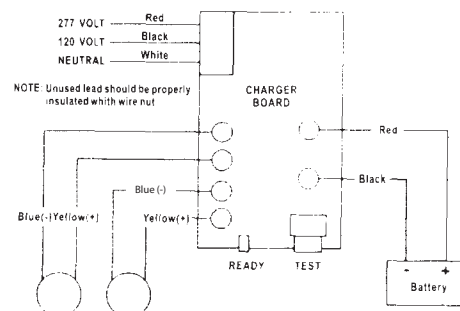


Fig 1

SAVE THESE INSTRUCTIONS
and deliver to owner after installation