

Stadium lamp installation instructions

Rev:A0

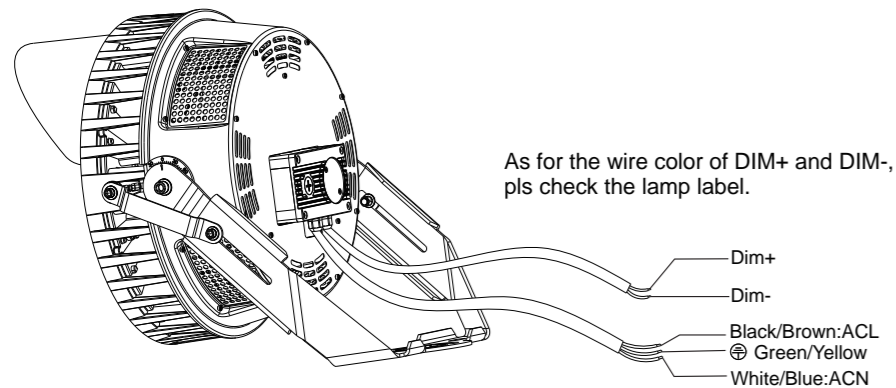
Applications:

For stadiums and large squares lighting, can also be used for shipyards, airports, docks and other high pole installation application; can be used for long-distance small-angle projection and large architectural outline lighting.

Cautions:

1. The product should be installed, inspected and maintained by a qualified electrician in accordance with local national electrical safety regulations;
2. Please turn off the power before checking, installing or removing;
3. Ensure that the voltage used is the voltage within the product identification range;
4. Use wires that comply with UL (or other local standards) for wiring. The voltage AC120-277V should be wired with not less than 16 AWG, and the voltage AC277-480V should be wire with not less than 18 AWG;
5. Do not install in a hazardous environment. The ambient temperature must not exceed the rated operating temperature of the product;
6. Do not install the product when it rains. Avoid the danger of lightning strikes and avoid accidents;
7. Please use with listed waterproof strain relief bushing when connecting the power supply cord to outlet box.
8. Can not use the electric generator to test the LED lamp.
9. External 0-10V only passive dimmers are supported.

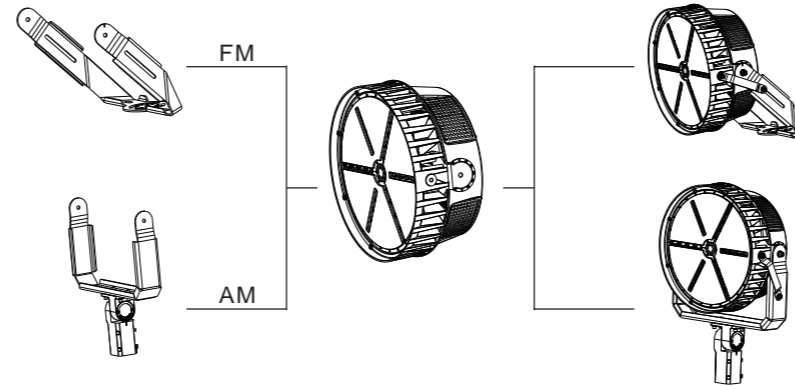
Wiring diagram:



Notice: Please use the dimming+, dimming- (DC10V) marking leads to connect to outside dimmer. Class 1 Wiring Only. Please assure a cumulative leakage current of less than 3.5mA on the control circuit. The AUX control wire with shrinkable tubing shall not be damaged (no connection).

Optional brackets and installation instructions

There are 2 optional brackets for this fixture, the following is sport light fixtures with different brackets



Installation Instructions with different brackets:

1.FLOOD MOUNTING(FM)

- 1: Fix the FM bracket to the heat sink with M12 screws (Figure 1);
- 2: Fix it with M8 screws after adjusting to the required the angle (Figure 2).

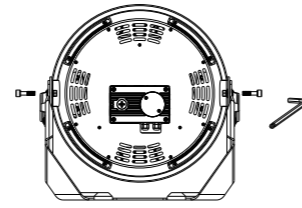


Figure 1

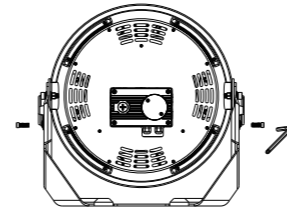


Figure 2

2.ADJUSTABLE FITTER MOUNTING(AM)

- 1: Remove the bracket mounting screws on the fixture and run the wires through the bracket. (Figure 3)
- 2: Install the bracket on the fixture. (Figure 4)

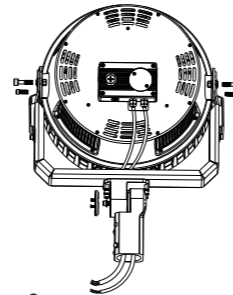


Figure 3

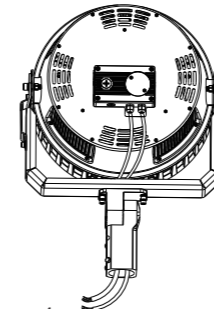


Figure 4

Flood mounting method I (pole mounting) :

1. Mark the hole distance S1 shown in the product to be installed (Figure 5);
2. Drill two holes of distance S1 on the mounting bar (Figure 6).

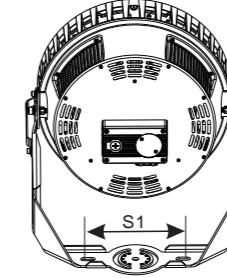


Figure 5

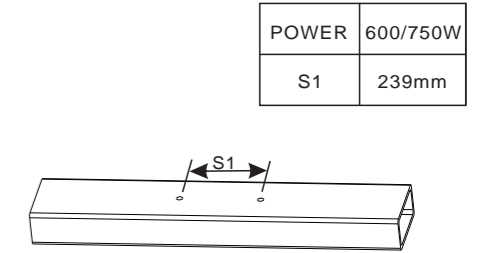


Figure 6

3. Install the luminaire on the crossbar and secure it with nuts, spring washers and flat washers (Figure 7).

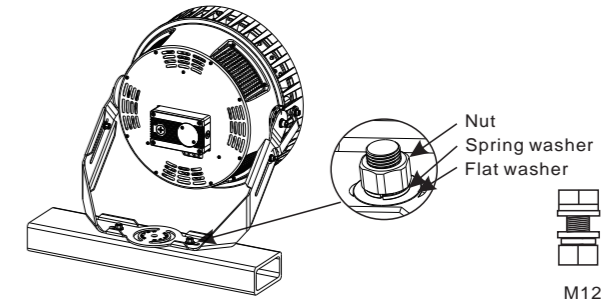


Figure 7

4. Use M12 hex wrench to loosen the adjustment screw used to adjust the angle (Figure 8).

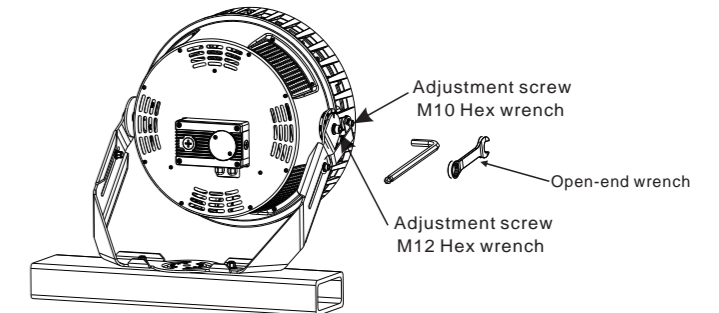


Figure 8