

LED Corn Light Instruction



Can not use the electric generator to test the LED lamp. Please avoid using the led fixture in environment where there is smoke, sulfur, and corrosive substances. But if used in such environment, make sure the led fixture is well protected by an enclosed lampshade whose dimension is no less than below size, and whose material is either glass or semi-glass, semi-metallic. Surface of the lampshade shall not have any covering which prevents heat dissipation.

Product features:

- ◆ CCT Adjustable mode 12-120W are designed with 3000K /4000K/ 5000K CCT adjustable function.
- ◆ Both CCT and wattage adjustable for 27-120W.
- ◆ Can be with Clear or frosted PC cover.
- ◆ CCT Adjustable mode CCT12-120W lamp can be with AC100-277V internal driver.
- ◆ Motion sensor or PIR sensor are optional for the CCT Adjustable mode 80-120W.
- ◆ 12-120W Sealant pouring for whole drive and lamp plastic housing.
- ◆ Long lifespan and good heat dissipation. No fan.
- ◆ Good replacement for MHL or HPS (type B, without ballast), easy Installation.
- ◆ Fits many different fixtures to replace traditional lamps.

Application:

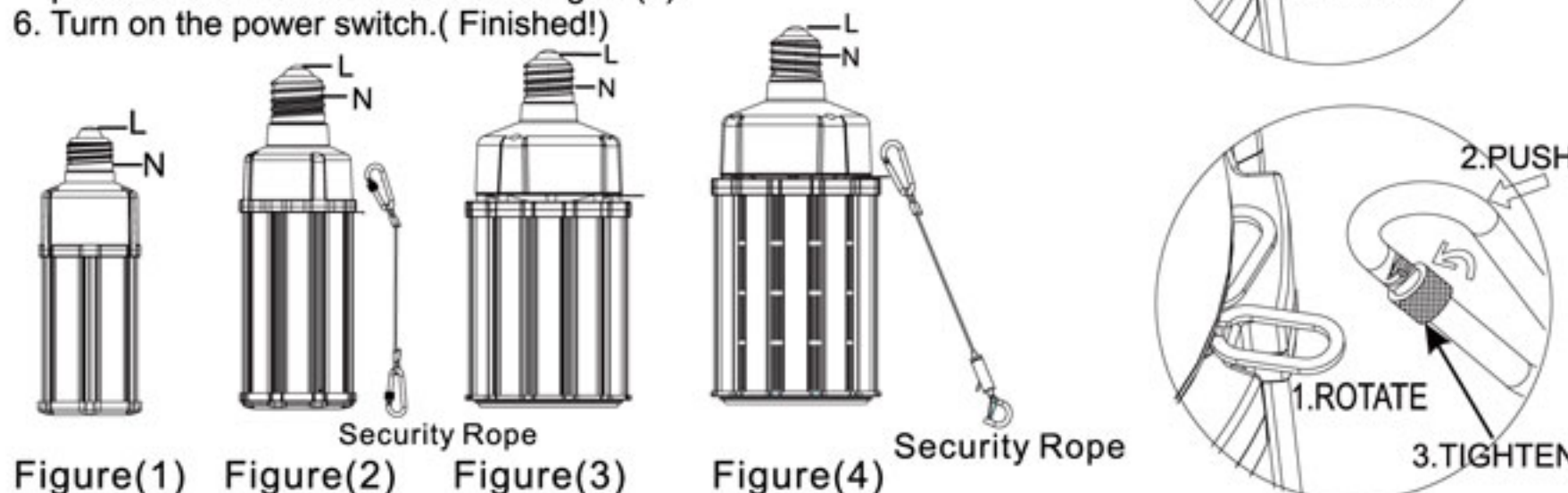
Widely used in supermarket, warehouse, garage, home, office, hotel, hospital, school, street, garden etc.



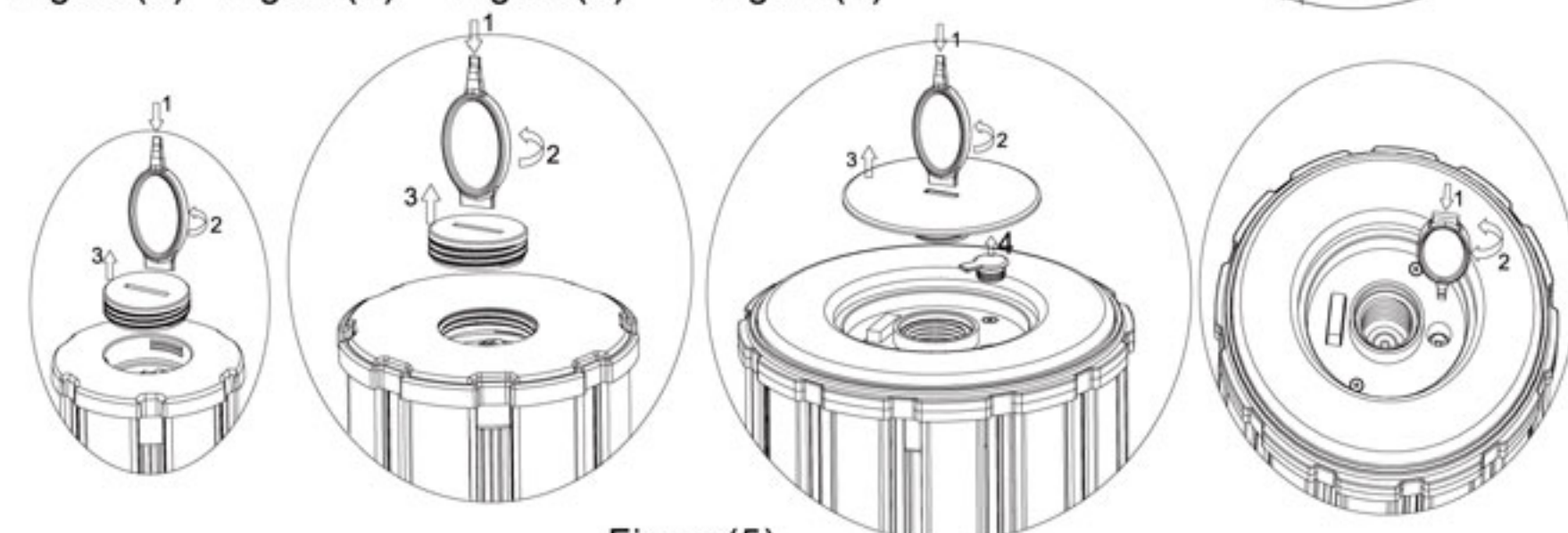
Installation Instructions:

Warning: Please make sure the power is off before installation.

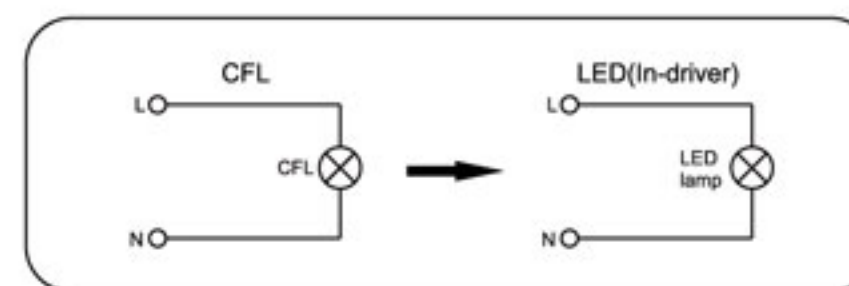
1. Turn off the power switch.
2. Screw off the CFL or MHL or HPS and so on, see Figure(5)(6).
3. Take out led corn light and screw on, see Figure(1)(2)(3)(4).
Figure(1)(2)(3)(4): AC internal driver, (Note: Pls make sure to take off the ballast before installing led corn light, otherwise the ballast will produce the resonance of high voltage and makes led corn light breakdown.)
4. If security rope provided, pls fix the rope on the lamp with hand, then fix the wire of other end on the shell, see Figure(2) (4).
5. Lamp CCT and wattage dimming can be adjusted after removing the top plastic cover with a screwdriver. Figure(5).
6. Turn on the power switch.(Finished!)



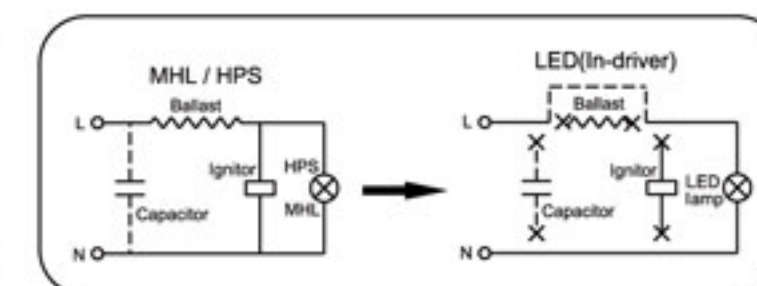
Figure(1) Figure(2) Figure(3) Figure(4) Security Rope



Figure(5)



Figure(6)



Figure(7)