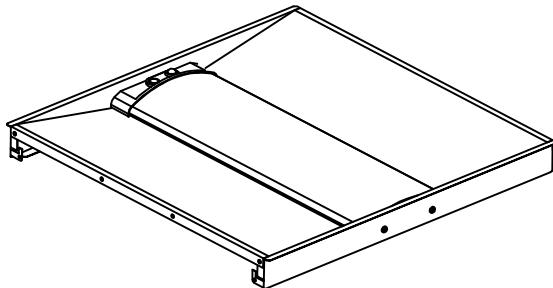


Specification

Item - **37122A**
Model - **LED TROFFER 2X2 WATT/CCT Selectable**
Bulb Type - **LED**
Input Voltage - **120-277VAC 50/60Hz**
Watts - **25/30/35 W**
Length - **23.7"(603mm)**
Width - **23.7"(603mm)**
Height - **2.13"(54mm)**
Color Temp - **3500K-5000K**
CRI - **≥ 80**
Lumen - **3125/3750/4375 lm**
Lumen Efficacy - **125lm/w**
Power Factor - **≥ 0.9**
Finish - **White**
Dimmable - **Yes, 0-10V (motion sensor wire must be cut)**
Damp Location - **Yes**
Life - **50,000 Hours**
Ambient Operating Temp - **-4°F to 122°F (-20°C to 50°C)**
Surge Protection - **2KV**
Average Beam Angle - **110°**
- **Type IC**
- **Motion sensor optional (37122B)**



37122A
LED TROFFER

DAMAR[®] Lighting
805 N Carnation Drive
Aurora, MO 65605
the World

Installation Instruction

WARNING

- To reduce the risk of death, personal injury or property damage from fire, electric shock, falling parts, cuts/abrasions, and other hazards read all warnings and instructions included with and on the fixture box and all fixture labels.
- Before installing, servicing, or performing routine maintenance upon this equipment, follow these general precautions.
- Commercial installation, service and maintenance of luminaires should be performed by a qualified licensed electrician.
- For the installation: If you are unsure about the installation or maintenance of the luminaires, consult a qualified licensed electrician and check your local electrical code.
- To prevent wiring damage or abrasion, do not expose wiring to edges of sheet metal or other sharp objects.
- Do not make or alter any open holes in an enclosure of wiring or electrical components during kit installation.

WARNING

- Turn off electrical power at fuse or circuit breaker box before wiring fixture to the power supply.
- Turn off the power when you perform any maintenance.
- Verify that supply voltage is correct by comparing it with the luminaire label information.
- All wiring connections should be capped with UL approved wire connectors.

CAUTION

- Avoid direct eye exposure to the light source while it is on.
- Account for small parts and destroy packing material, as these may be hazardous to children.
- Risk of burn. Disconnect power and allow fixture to cool before handling it.

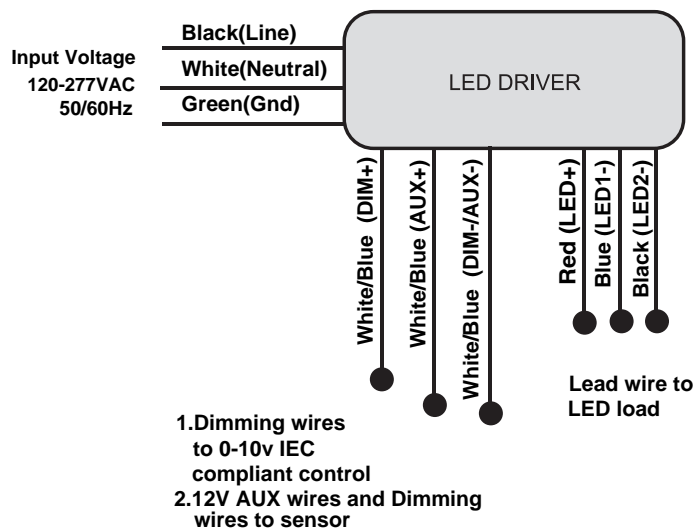
NOTICE: Green ground screw provided in proper location. Do not relocate.

NOTICE: Minimum 90° supply conductors.

NOTICE: Specifications and dimensions subject to change without notice.

NOTICE: Suitable for Dry or Damp location, Type IC.

General Wiring Diagram



37122A

LED TROFFER

DAMAR[®] Lighting
805 N Carnation Drive
Aurora, MO 65605 the World

Installation Instruction

INSTRUCTIONS:

Always turn off the power supply from main circuit breaker first!

Figure 1

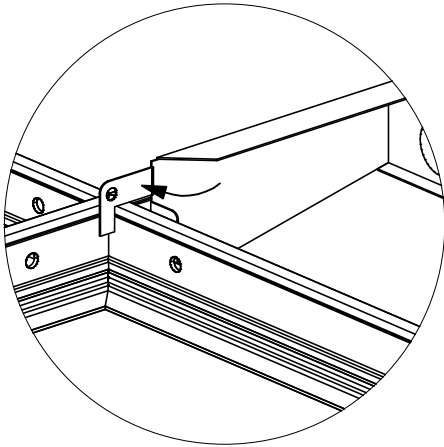


Figure 2

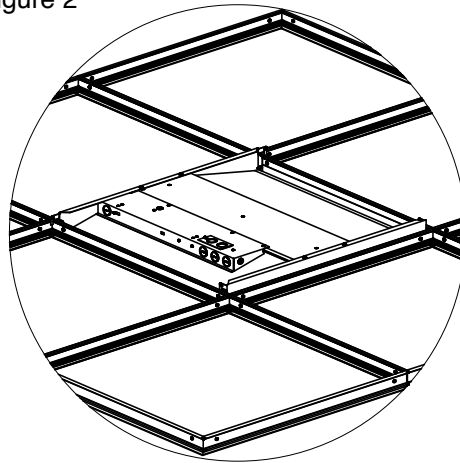


Figure 3

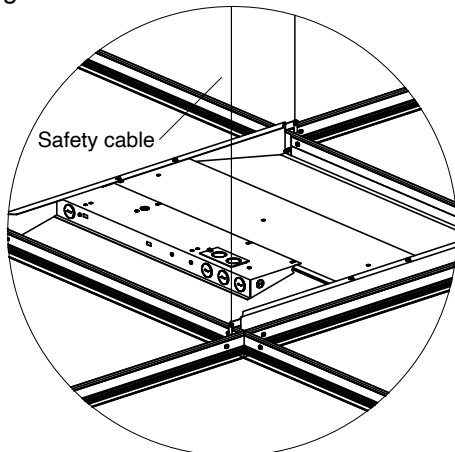
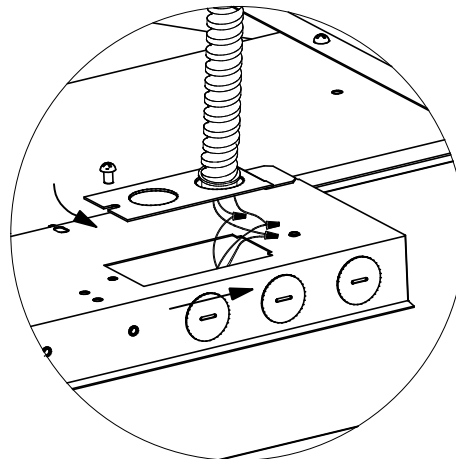


Figure 4



Installation Steps:

Figure 1: Bend out mounting tab 90 degrees on each corner.

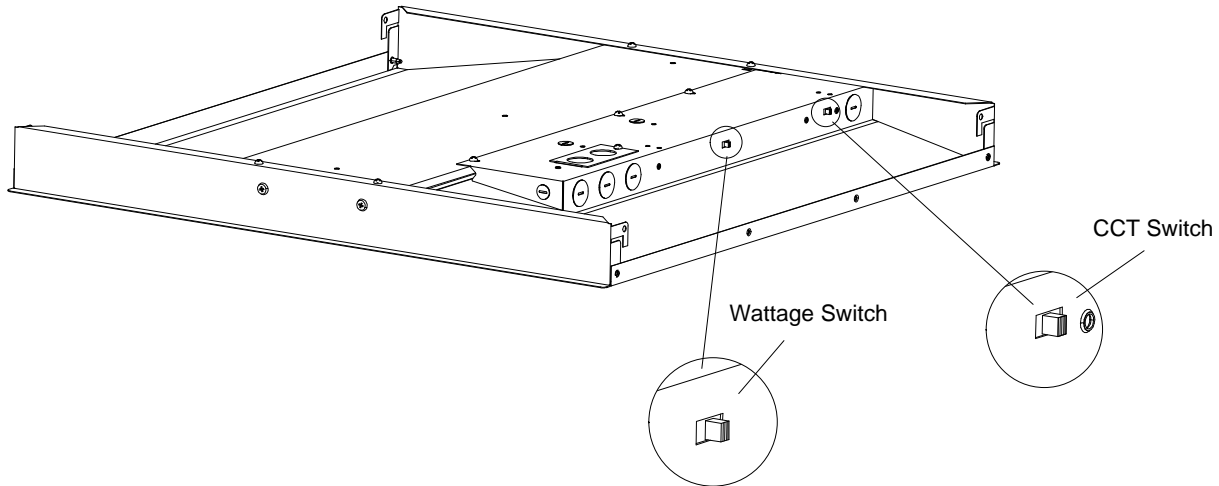
Figure 2: Lay the fixture into T-grid.

Figure 3: Use hanger wire to tie off appropriately in accordance with local building code.

Figure 4: Install conduit containing the line, neutral, and ground conductors to the knockout of the cover plate. Make all electrical connections to the fixture. Attach the wiring access cover plate.

Installation Instruction

Field-Adjustable Wattage & CCT



The end users may adjust the color temperature and lumen output respectively by the two DIP switch. Each DIP switch is accommodated with 3 options (left, middle and right), corresponding to 3 color temperatures and 3 powers respectively, which can perform the desired color temperature and lumen output combination.

1. DIP switches are located onto the side of the fixture.
2. Select a wattage and color temperature by sliding switch left or right respectively to the desired value.

Instructions for cutting the 12V Aux wires (motion sensor) to connect a 0-10V dimmer

Row Section View

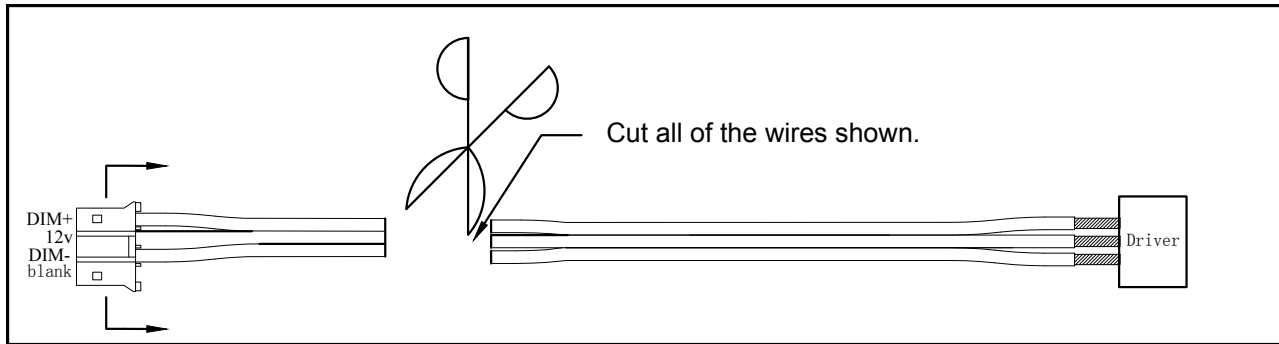
The end near the blank is DIM-

- White/Blue (Dim+)
- White/Blue (Aux+)
- White/Blue (Dim-/Aux-)

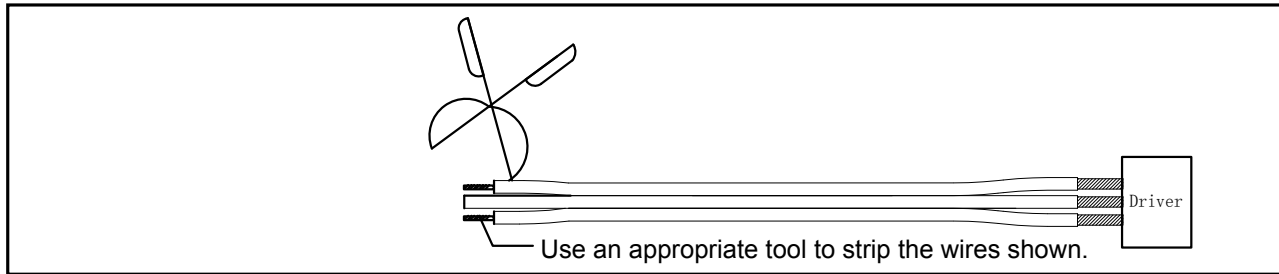
blank

Back View

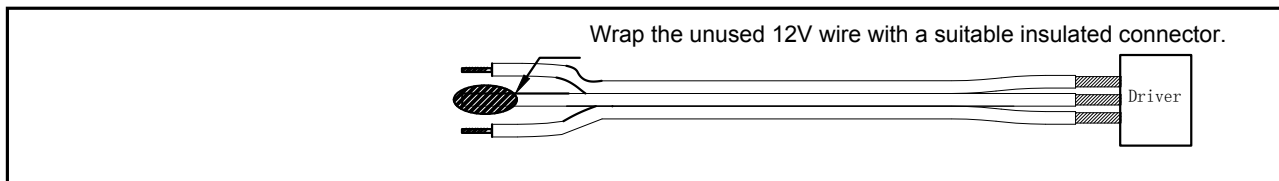
STEP 1



STEP 2



STEP 3



STEP 4

