

**DAMAR<sup>®</sup> LIGHTING**

**www.damarww.com**  
**(800) 238-9080**  
**(877) 608-0597**

## **HONEYCOMB PANEL SURFACE MOUNT KIT INSTALLATION**

### **IMPORTANT**

READ CAREFULLY BEFORE INSTALLING FIXTURE.  
RETAIN THESE INSTRUCTIONS FOR FUTURE REFERENCE.

THIS PRODUCT MUST BE INSTALLED IN ACCORDANCE WITH THE APPLICABLE INSTALLATION CODE BY A PERSON FAMILIAR WITH THE CONSTRUCTION AND OPERATION OF THE PRODUCT AND THE HAZARDS INVOLVED.

MAKE CERTAIN POWER IS OFF BEFORE INSTALLING THE FIXTURE.  
NO USER SERVICEABLE PARTS INSIDE.

The fixtures must be wired in accordance with the National Electrical Code and all applicable local codes. Proper grounding is required for safety.

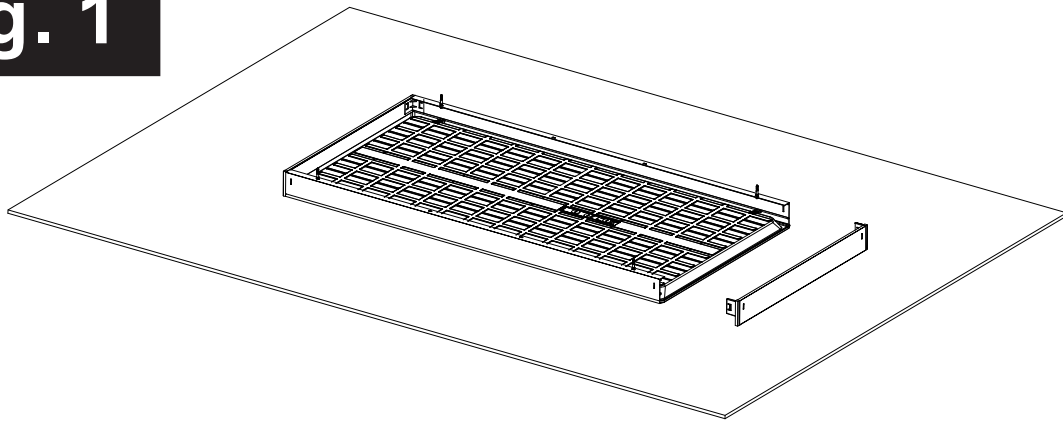
# SURFACE MOUNTING

The fixture is suitable only for INDOOR SURFACE CEILING application.

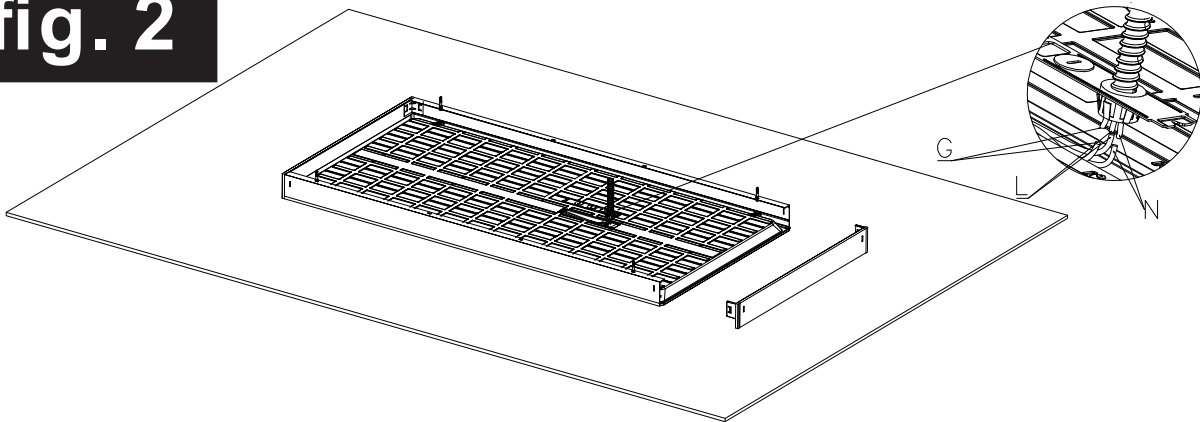
To mount on an insulated or non-insulated sheet rock ceiling follow the steps below.

- (1). Power off, assemble the surface mount kits into the shape "U" and mount on the ceiling. (fig. 1)
- (2). Put the fixtures into the surface mount kits, wiring "L", "N" and "GND" correspondingly. (fig. 2)
- (3). Mount the last surface mount kit. (fig. 3)

**fig. 1**



**fig. 2**



**fig. 3**

