

LED TRADITIONAL WALLPACK

Specifications



Item	- 37381A
Model	- LED TRADITIONAL WALLPACK 45-60-75W 3CCT
Bulb Type	- LED
Input Voltage	- 120-277VAC 50/60Hz
Watts	- 45W/60W/75W SELECTABLE
Color Temp	- 3K/4K/5K SELECTABLE
CRI	- >80
Lumen	- 6300-8400-10500
Dimmable	- Yes, 0-10V (Used by the internal wattage switch)
UL Rating	- Suitable for Wet Locations
Length	- 14.21" (361mm)
Width	- 7.52" (191mm)
Height	- 9.27" (235.5mm)
Ambient Operating Temp	- -40°F to 113°F (-40°C to 45°C)
Finish	- Bronze
Life	- 50,000 Hours
Surge Protection	- 4KV
Average Beam Angle	- 100°H x 115° V
Wireguard	- Optional (37381D)
Shield	- Optional (37381E)

Note

Any alteration or modification of this product is expressly forbidden as it may cause serious personal injury, death, property damage, and/or product malfunction.

This product is not suitable for several special environments, such as places with corrosive gas, liquids, or high pressure water vapor. Suitable for wet locations.

Warning

PLEASE READ ALL INSTRUCTIONS BEFORE ATTEMPTING INSTALLATION

- This fixture must be wired in accordance with the national electrical code and applicable local codes and ordinances.
- To prevent personal injury or product damage only licensed electricians should install.
- To avoid electric shock or component damage disconnect power before attempting installation or servicing.
- To prevent product malfunction and/or electrical shock this product must be properly grounded.
- RISK OF PERSONAL INJURY- Fixture may become damaged and/or unstable if not installed properly.



Installation

Step 1 Open the cover by unscrewing the screws that are located on the side of the wall pack, then separate the male and female connectors. (figure 1)

Step 2 Fix the rear housing on the wall. (figure 2)

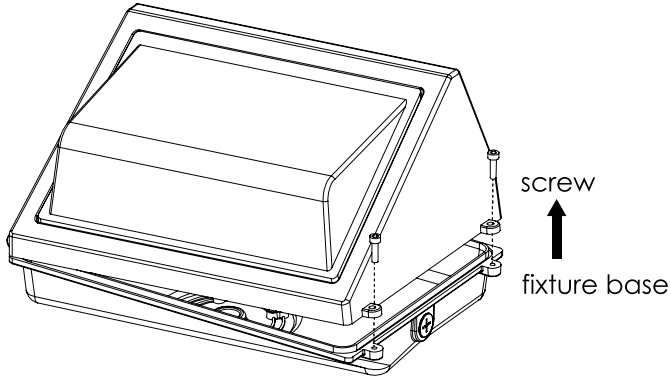


figure 1

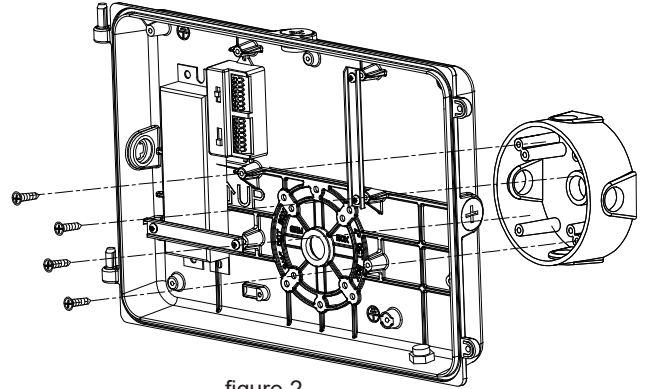


figure 2

Method 1 Remove the pre-cast locators at the back of the rear housing and fix the fixture with 4 screws (not provided) to the standard junction box on the wall. (figure 2.1)

Method 2 Drill holes at the required three mounting points, mount the fixture by securing mounting screws (not provided) through the drilled holes, and seal the screw heads with appropriate waterproofing material. (figure 2.2)

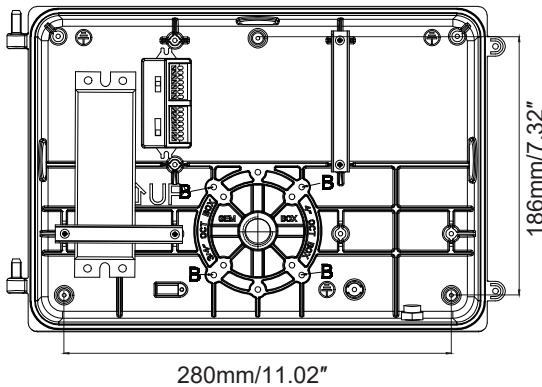


figure 2.1

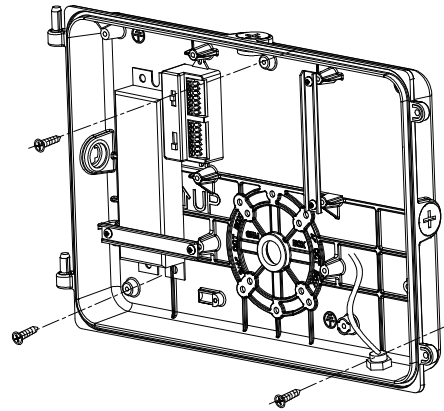


figure 2.2

Step 3 Connect the male and female connectors together, and select your required CCT and power by the DIP switch. (figure 3.1) (figure 3.2)

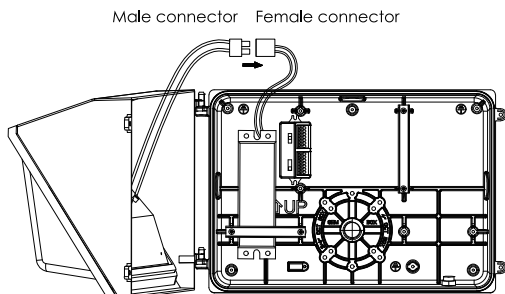


figure 3.1

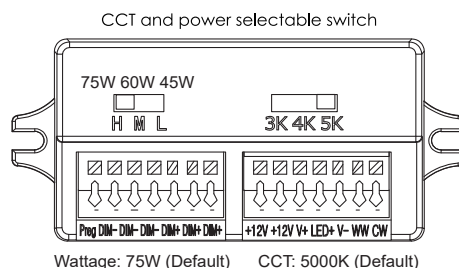


figure 3.2

Step 4 Remove the 2 drain plugs from the housing. Close the diffuser door and lock it with the 2 diffuser door screws. (figure 4)

Step 5 Make sure all wiring access holes are sealed properly for waterproofing purposes. (figure 5)

Step 6 Turn on the electricity to verify your successful installation.

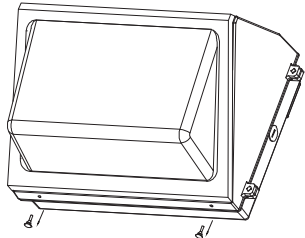


figure 4

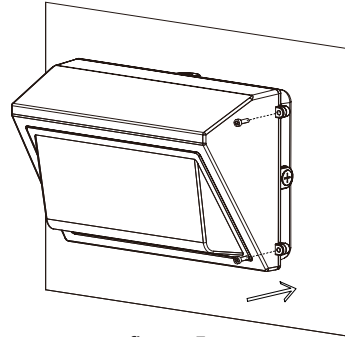


figure 5

Wireguard Installation (Optional)

1. Remove the 4pcs drain plugs from the housing. (figure 6)
2. Put the wireguard on the housing and match the 4 holes on the housing. (figure 7)
3. Tighten the screws. (figure 8)

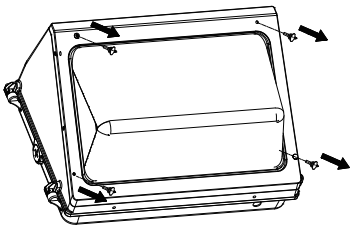


figure 6

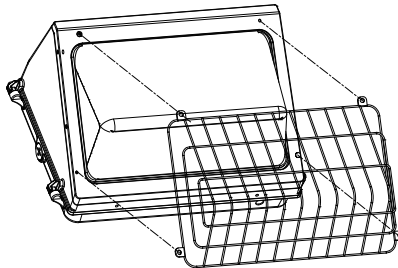


figure 7

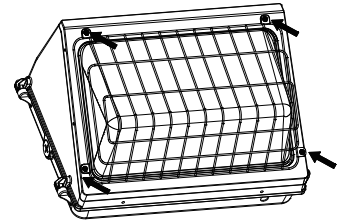


figure 8

Shield Installation (Optional)

1. Remove the 4pcs drain plugs from the housing. (figure 9)
2. Put the shield on the housing and match the 4 holes on the housing. (figure 10)
3. Tighten the screws. (figure 11)

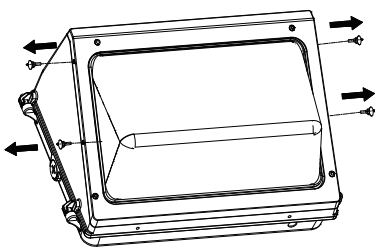


figure 9

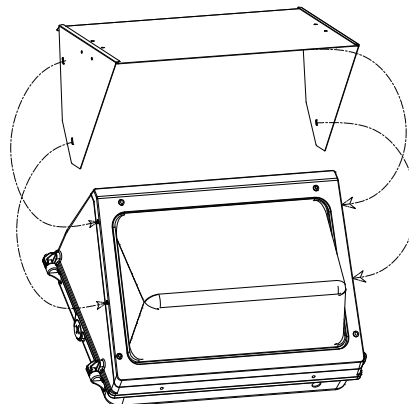


figure 10

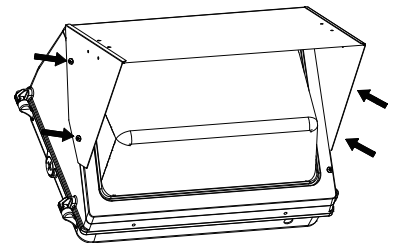
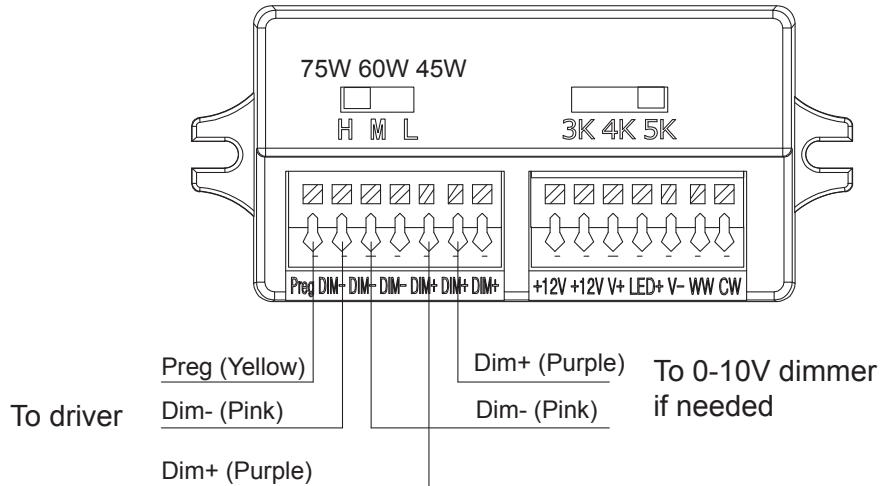


figure 11

Wiring Diagram

CCT and power selectable switch

Wattage: 75W (Default) CCT: 5000K (Default)



See diagram for 0-10V dimming

