

Specifications



Item - 37381B

Model - WALLPACK EMERGENCY DRIVER FOR 37381A/37382A

Input Voltage - 100-277VAC 50/60Hz

Output Voltage - 81-155VDC

Input Current - 100mA max

Input Power Rating - 7W max

Emergency Power - 15W max

Recharge Time - 24 Hours

Discharge Time - ≥90 minutes

Surge Protection - Line-Neutral 3KV

Ambient Operating Temp - 32°F to 140°F (0°C to 60°C)

Battery Type - LiFePO4/9.6V/3600mAh

Battery - L 7.07"(179mm)x W 1.63"(41.5mm)x H 1.74"(44mm)

Emergency driver - L 7.32"(186mm)x W 1.50"(38mm) x H 0.99"(25mm)

Function

Indicator Light

AC Operation, indicator light will stay on.

Emergency Operation, indicator light flashes slowly (light on for 2 seconds, light off for 2 seconds).

In a failure, indicator light flash quickly (light on for 0.2 seconds, light off for 0.2 seconds).

SELF-TESTING:

The integrated Self-Diagnostic circuitry will automatically conduct monthly 30-second and annual 90-minute tests to verify proper emergency capability per Life Safety Code requirements. NFPA 101, Life Safety Code Outlines the following schedule:

- Monthly- During AC mode, the system conducts a (30)seconds self-discharge test of the emergency LED driver every 30 days. And automatically restore to normal charging after (30)seconds dis-charged.
- Annually- During AC mode, the system conducts a (90)minutes self-discharge test of the emergency LED driver every 365 days. And automatically restore to normal charging after fully dis-charged.

!IMPORTANT SAFEGUARDS!

WHEN USING ELECTRICAL EQUIPMENT, BASIC SAFETY PRECAUTION SHOULD ALWAYS BE FOLLOWED, INCLUDING THE FOLLOWING

Read And Follow All Safety Instruction

1. CAUTION- This EMB provides more than one power supply output source. To reduce the risk of electrical shock, disconnect both normal and emergency source by turning off the A.C. branch circuit and by disconnecting the battery on/off connector.
2. CAUTION- Servicing of this equipment should be performed by qualified personnel only.
3. CAUTION- Do not attempt to service the battery. A sealed, no-maintenance battery is used that is not field replaceable. Replace the entire unit when necessary.
4. CAUTION- The use of accessory equipment not recommended by the manufacturer may cause an unsafe condition, void warranty, and result in non-compliance with UL specifications.
5. - Connect the EMB battery pack to the unit before applying A.C. Power.
6. CAUTION- The EMB requires an un-switched AC power source of 100-277VAC, 50/60Hz. Verify the correspondent electrical rating at the LED fixture before servicing. Both of the electrical rating will supply power under an output voltage of 81-155VDC in emergency mode for at least 90 minutes.
7. CAUTION- Battery pack should be charged for 24 hours every 6 months during storage.
8. CAUTION- Press test button again to turn off emergency before shipping.
- 9 Battery in this unit may not be fully charged. After electricity is connected to the unit for at least 24 hours, then normal operation of this unit should take effect.
10. For use in 0°C minimum, 60°C (LiFePO4) maximum ambient temperatures. Suitable for use in damp locations and enclosed spaces.
11. Flexible metal conduit is optional, depends on installation environment.
12. The EMB should be mounted in locations and at heights where it will not readily be subjected to tampering by unauthorized personnel.
13. For led fixture power higher than or equal to rating of the EMB emergency battery pack.
14. Do not use this equipment for anything other than its intended use. Equipment only use for LED Lighting emergency backup.
15. Do not mount near gas or electric heaters. Do not let power supply cords touch hot surfaces.
16. Do not make or leave any other open holes in the wiring enclosure or electrical component enclosure during installation.
17. This emergency driver can be used in closed outdoor fixtures. Please kindly note the emergency driver installs inside the fixture, do not expose it outdoors. Not for use in heated air outlets or hazardous locations.

Lumen Output During Emergency Operation

1. Determine the fixture efficacy under normal AC operation, based on fixture manufacturer published data in lumens per watt (LM/W).
2. Multiply fixture LM/W by rated output power of emergency pack (Example 'model EMB08' is $15\text{ W} \times 100\text{ LM/W} = 1500\text{ Lumens}$)



CAUTION: before installation, make certain the A.C. power is off.

STEP1: INSTALLING THE EMERGENCY LED DRIVER

- > Test button and indicator light shall be installed where they can be seen depending on the application.
- > Turn off the AC power before installing.
- > Determine appropriate location for EMB in the fixture or using existing mounting holes in the fixture. The installation instruction of LED luminaire may provide guidance on mounting location. (Fig 3)

STEP2: WIRING THE EMERGENCY DRIVER

- > The EMB and A.C. driver must be on the same branch circuit.
- > Select the appropriate wiring diagram to connect the emergency driver to the AC driver. For other diagrams, consult the manufacturer.
- > Using wire nuts to cover unused wires and make sure all connections are in accordance with the NEC and any local regulations.

STEP3: TESTING

- > After wiring is complete, check if the indicator light lights or not, which will indicate the battery's charging situation.
- > The battery in this unit may not be fully charged. A short-term discharge test may be conducted after the EMB has been charging for 1 hour. Charge for 24 hours before conducting a long-term discharge test.

Mounting Method

- > Suitable for LED lamp with internal driver. Mount the EMB series in the driver/ lamp compartment or enclosed luminaires, so the wire leads are not exposed, at least $\frac{1}{2}$ " from away from the driver.

1. Remove the drain plug and insert the test button. (Fig 1) (Fig 2)

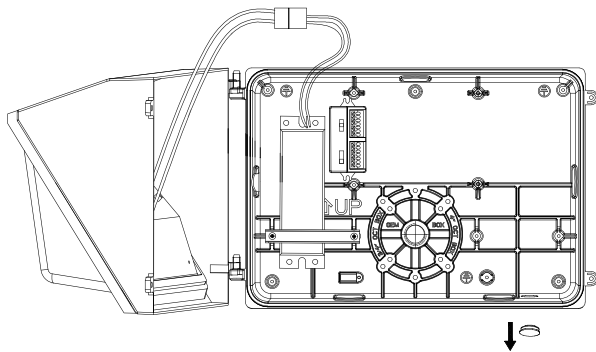


Fig1

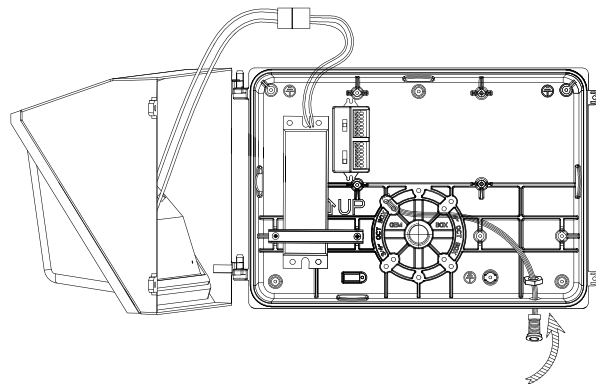


Fig2

2. Fix battery and emergency driver with 2 screws and metal bar. (Fig 3)

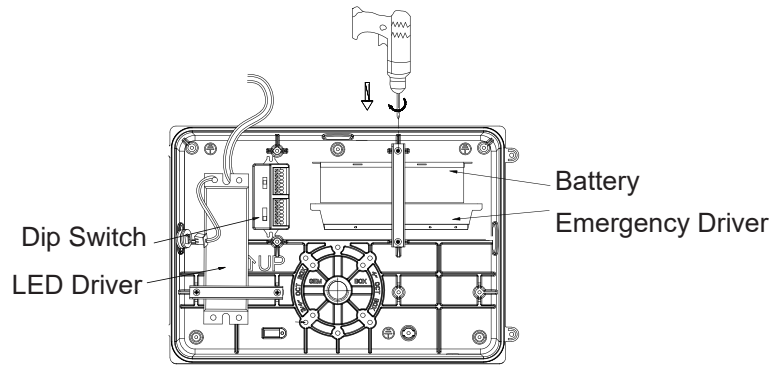


Fig3

3. Connect the battery and emergency driver, see wiring diagram. (Fig 4)

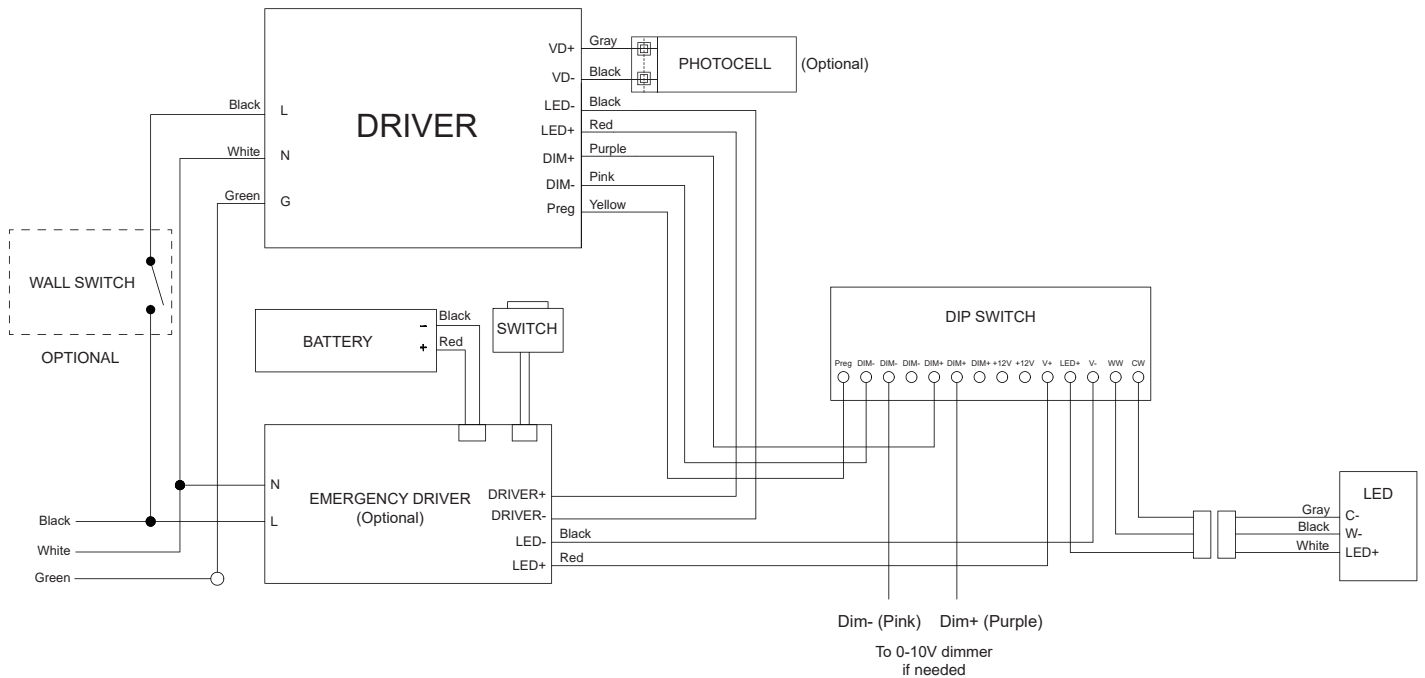


Fig4

4. Push the test button to see if it's working properly. (Fig 5)

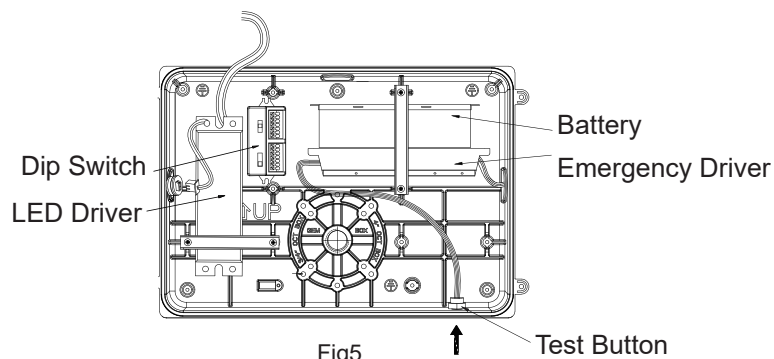


Fig5

5. Lock the housing by tightening the 2 side screws. (Fig 6)

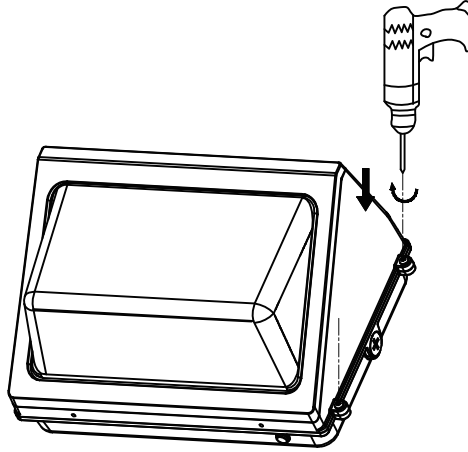



Fig6

Operation (Indicator Status)

Mode	Test Button Operation	Indicator Status	Comment & Solutions
AC MODE (1)	NO press	ON(no flashing)	Emergency LED driver is charging
AC MODE (2)	press once	2s ON and 2s OFF (slow flashing)	Emergency LED driver is conducting a 30s short-term emergency test, After 30 seconds, it will automatically restore to normal charging mode
AC MODE (3)	press twice (2s) in sequence	2s ON and 2s OFF (slow flashing)	Emergency LED driver is conducting a long-term emergency test until battery is fully discharged
EMERGENCY MODE	NO Press	2s ON and 2s OFF (slow flashing)	Emergency LED driver is conducting a long-term emergency test until battery is no power
PROBLEM	When indicator flashes (50ms) ON and (50ms) OFF fast, the emergency backup pack is abnormal contact the manufacturer		
WARNING Risk of Electric Shock 		Note: Please press the test button once to make certain the battery is turned off, before installation, maintenance, storage or shipping.	