

## Specifications



Item - 37874A
Model - LED20W/5"/SCONCE/CL/5CCT
Bulb Type - LED
Input Voltage - 120-277VAC 50/60Hz
Watts - 20W
Color Temp - 2700K/3000K/3500K/4000K/5000K SELECTABLE
CRI - 90
Lumen - 1960
Dimmable - Yes, 0-10V
IP Rating - IP44 (Suitable for wet locations)
Length - 7.55"(192mm)
Diameter - 5"(127mm)
Ambient Operating Temp - -40°F to 122°F (-40°C to 50°C)
Finish - Black
Life - 50,000 Hours
Surge Protection - 2KV
Average Beam Angle - 50°

## Note

Any alteration or modification of this product is expressly forbidden as it may cause serious personal injury, death, property damage, and/or product malfunction.

This product is not suitable for several special environments, such as places with corrosive gas, liquids, or high pressure water vapor. Suitable for wet locations.

## Warning

### PLEASE READ ALL INSTRUCTIONS BEFORE ATTEMPTING INSTALLATION

- This fixture must be wired in accordance with the national electrical code and applicable local codes and ordinances.
- To prevent personal injury or product damage only licensed electricians should install.
- To avoid electric shock or component damage disconnect power before attempting installation or servicing.
- To prevent product malfunction and/or electrical shock this product must be properly grounded.
- RISK OF PERSONAL INJURY- Fixture may become damaged and/or unstable if not installed properly.

### IMPORTANT

Read Carefully Before Installing Fixture. Retain These Instructions For Future Reference. Fixtures Must Be Wired In Accordance With The National Electrical Code And All Applicable Local Codes. Proper Grounding Is Required For Safety. This Product Must Be Installed In Accordance With The Applicable Installation Code By A Person Familiar With The Construction And Operation Of The Product And The Hazards Involved.

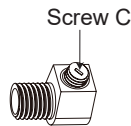
Warning:

- Make Certain Power Is Off Before Installing Or Maintaining Fixture. No User Serviceable Parts Inside.
- Fixture Is Suitable For Wet Location.
- Fixture Must Be Mounted A Minimum Of 4 Feet Above Ground Level.

### INSIDE THE BOX



(1) Fixture



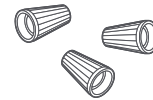
Cord Clamp with  
Screw C



Thread  
Lock



(2) M4\*30  
Tapping Screws



(3) P3 Wire Nuts



(2) P2 Wire Nuts

### WIRING DIAGRAM

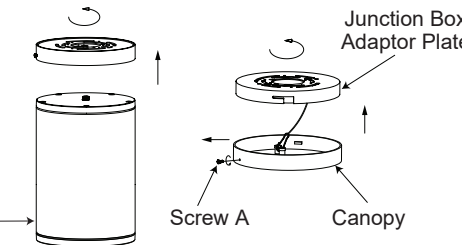


**INSTALLATION**

Disconnect the power before installation. Exploded view of completed assembly with component call out. 1, 2, 3, etc.

**CEILING MOUNT INSTALLATION**

**1**

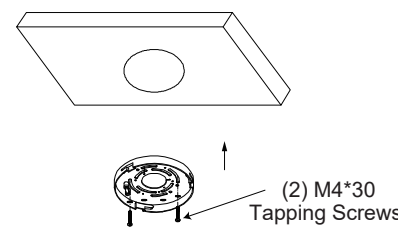


Junction Box Adaptor Plate  
Screw A  
Canopy  
Fixture

**Fig: 1**

1. Unscrew Junction Box Adaptor Plate and Canopy off the Fixture counterclockwise. Remove Screw A from Canopy and separate Junction Box Adaptor Plate and Canopy. (Fig. 1)

**2**

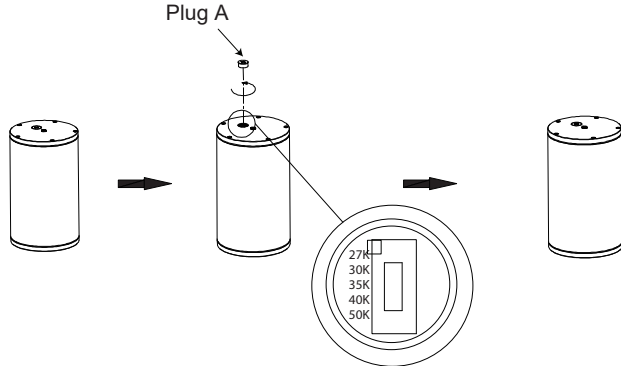


(2) M4\*30 Tapping Screws

**Fig: 2**

2. Attach the Junction Box Adaptor Plate onto the junction box with (2)M4\*30 Tapping screws. (Fig. 2)

**3**



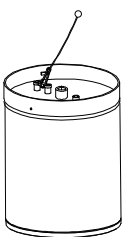
Plug A

27K  
30K  
35K  
40K  
50K

**Fig: 3**

3. Unscrew Plug A to adjust the CCT (Default-3000K). When adjusted, screw plug A back in. (Fig. 3)

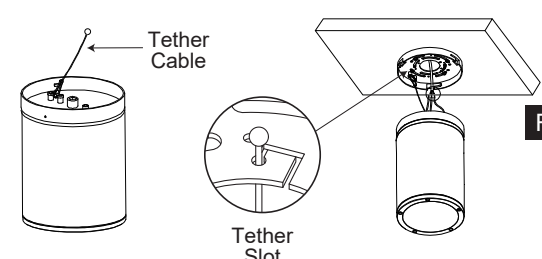
**4**



**Fig: 4**

4. Attach the Canopy back to the Fixture (Fig. 4)

**5**

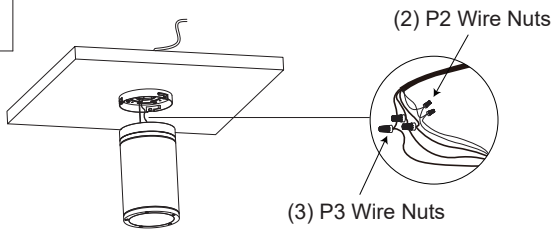


Tether Cable  
Tether Slot

**Fig: 5**

5. Connect Tether Cable on Canopy to Tether Slot in Junction Box Adaptor Plate. (Fig. 5)

**6**

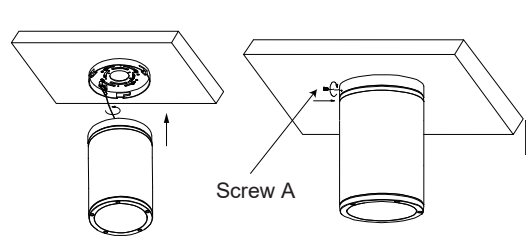


(2) P2 Wire Nuts  
(3) P3 Wire Nuts

**Fig: 6**

6. Connect the wires with (3) P3 Wire Nuts and (2) P2 Wire Nuts according to Wiring Diagram. (2) P2 Wire Nuts are for dimming wires. (Fig. 6)

**7**



Screw A

**Fig: 7**

7. Align the slots on the Junction Box Adaptor Plate to the tabs on the Canopy and rotate counter clockwise, then tighten screw A to secure them. (Fig.7)

PENDANT CORD/ PENDANT POLE MOUNT

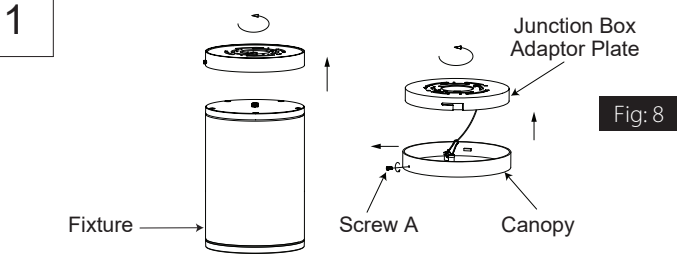


Fig: 8

1. Unscrew Junction Box Adaptor Plate and Canopy off the Fixture counterclockwise. Remove Screw A from Canopy and separate Junction Box Adaptor Plate and Canopy. (Fig. 8)

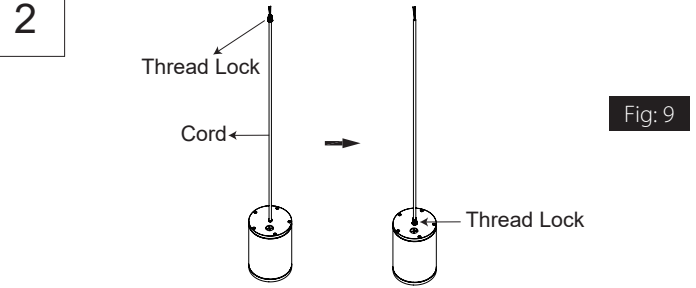


Fig: 9

2. Pass Thread Lock through the Cord and tighten it securely. (Fig. 9)

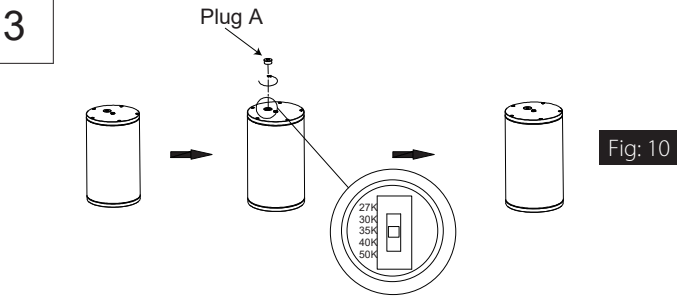


Fig: 10

3. Unscrew Plug A to adjust the CCT (Default-3000K). When done, screw plug A back in. (Fig. 10)

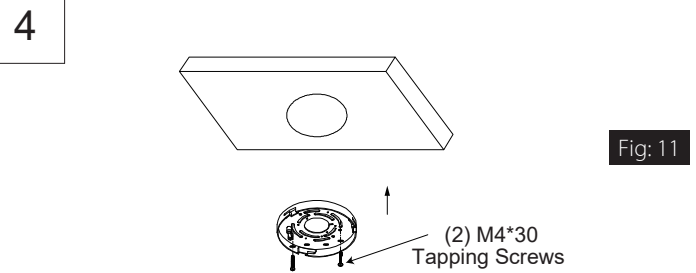


Fig: 11

4. Attach the Junction Adapter Plate onto the junction box with (2)M4\*30 Tapping screws (Fig. 11)

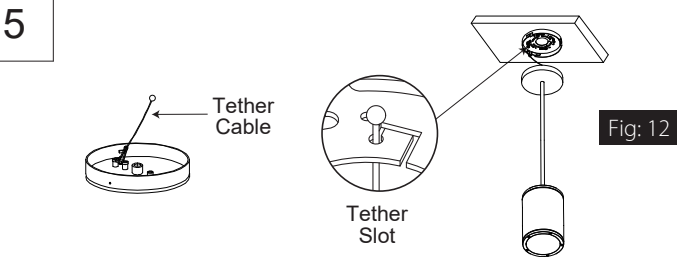


Fig: 12

5. Connect the Tether Cable on the canopy to the Tether Slot in the Junction Box Adapter Plate. (Fig. 12)

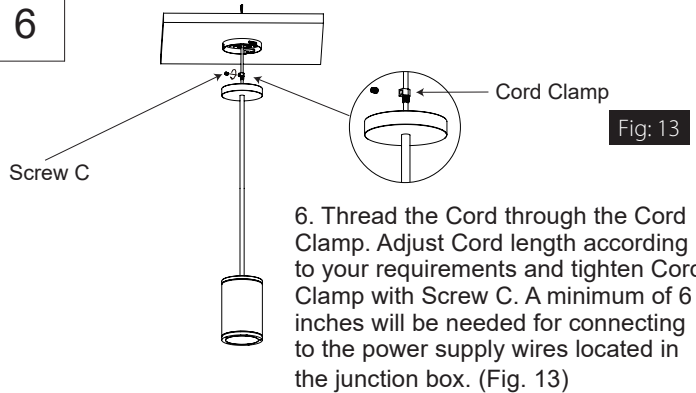


Fig: 13

6. Thread the Cord through the Cord Clamp. Adjust Cord length according to your requirements and tighten Cord Clamp with Screw C. A minimum of 6 inches will be needed for connecting to the power supply wires located in the junction box. (Fig. 13)

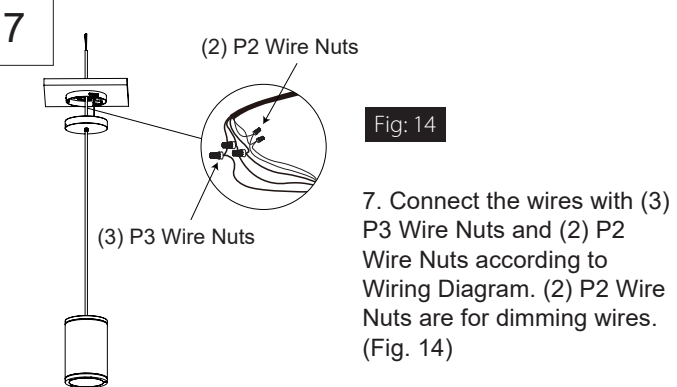


Fig: 14

7. Connect the wires with (3) P3 Wire Nuts and (2) P2 Wire Nuts according to Wiring Diagram. (2) P2 Wire Nuts are for dimming wires. (Fig. 14)

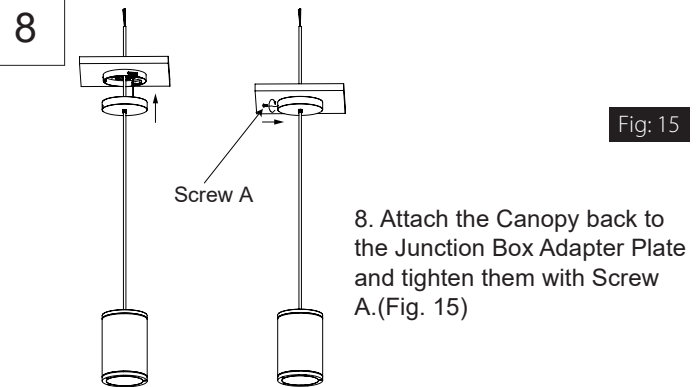
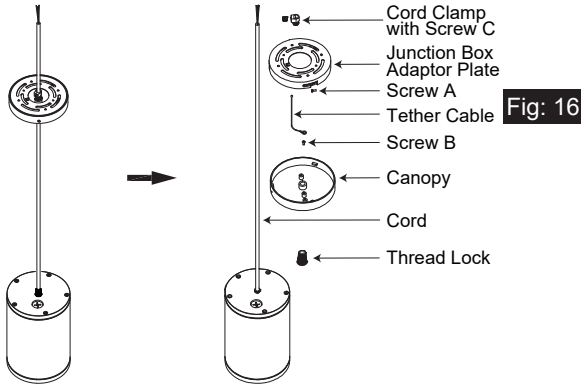


Fig: 15

8. Attach the Canopy back to the Junction Box Adapter Plate and tighten them with Screw A. (Fig. 15)

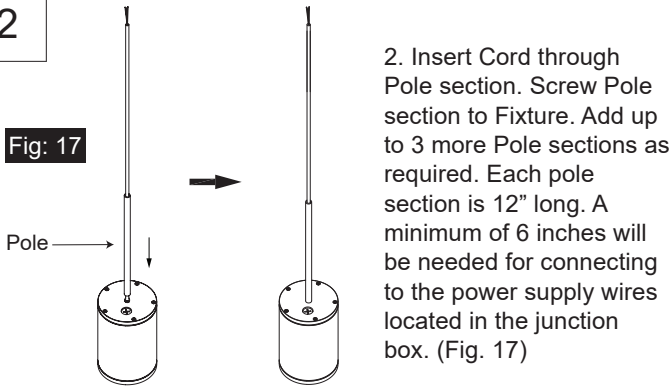
**CORD TO POLE CONVERSION**

1



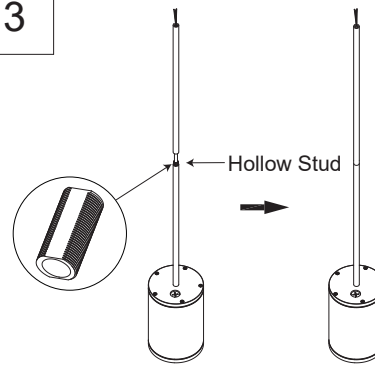
1. Remove Cord Clamp with Screw C, Canopy, Tether Cable with Screw B, Junction Box Adaptor Plate with Screw A. Discard Thread Lock. (Fig. 16)

2



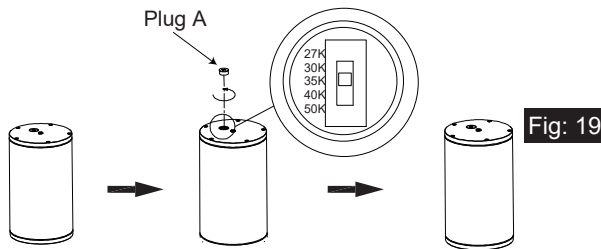
2. Insert Cord through Pole section. Screw Pole section to Fixture. Add up to 3 more Pole sections as required. Each pole section is 12" long. A minimum of 6 inches will be needed for connecting to the power supply wires located in the junction box. (Fig. 17)

3



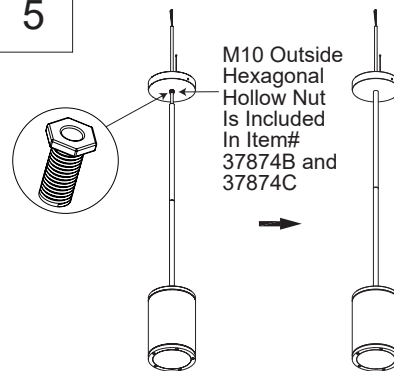
3. Insert the Cord through the hollow stud and tighten them securely (Fig. 18)

4



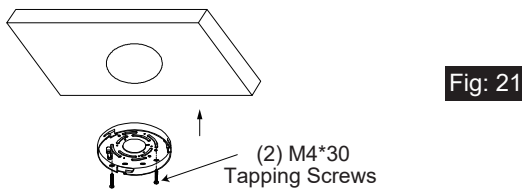
4. Unscrew Plug A to adjust the CCT (Default-3000K). When done, screw plug A back into the fixture. (Fig. 19)

5



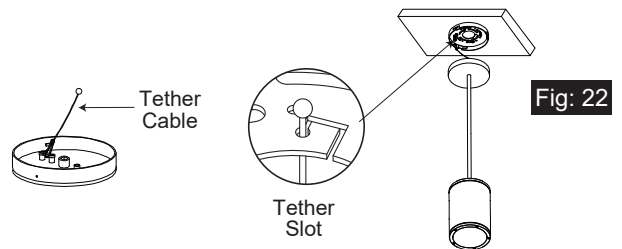
5. Unscrew M10 Outside Hexagonal Hollow Nut to Canopy and fix Canopy to Pole through M10 Outside Hexagonal Hollow Nut. (Fig. 20)

6

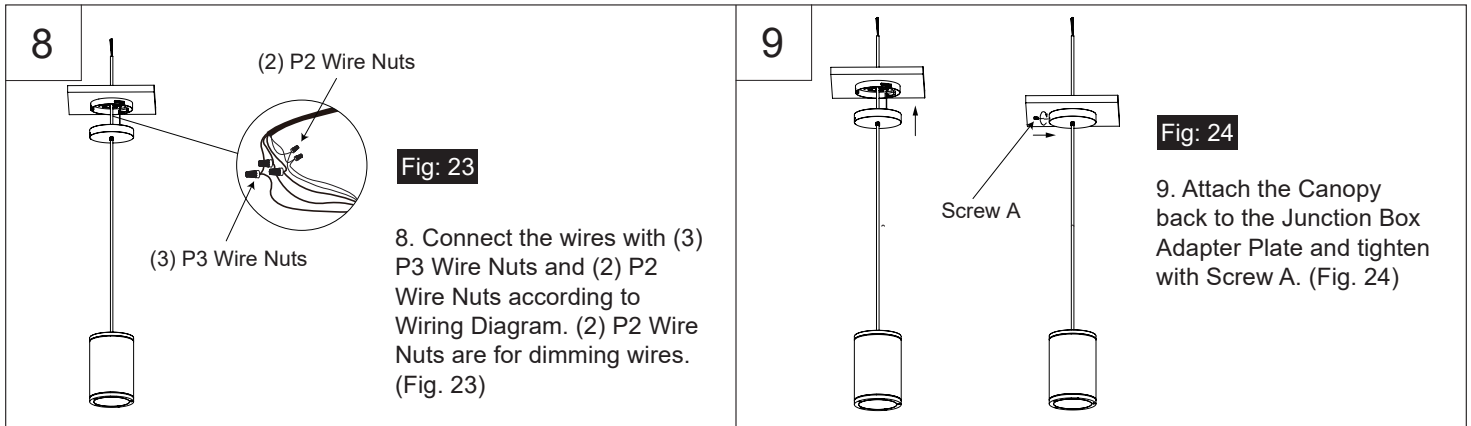


6. Attach the Junction Adapter Plate onto the junction box with (2) M4\*30 Tapping Screws (Fig. 21)

7



7. Connect the Tether Cable on the Canopy to the Tether Slot in the Junction Box Adaptor Plate (Fig. 22)



**Note:** These instructions do not cover all details or variations in equipment nor do they provide for every possible situation during installation, operation or maintenance.

## CLEANING & MAINTENANCE

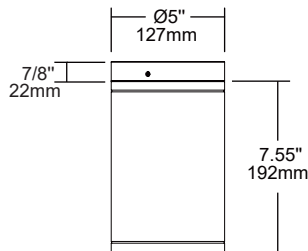
**CAUTION:** Be sure fixture temperature is cool enough to touch. Do not clean or maintain while fixture is energized.

1. Do not open fixture to clean the LED. Do not touch the LED.
2. Do not touch reflector.
3. Clean fixture surfaces with a damp cloth and mild detergent as needed. Do not use any harsh cleaners.

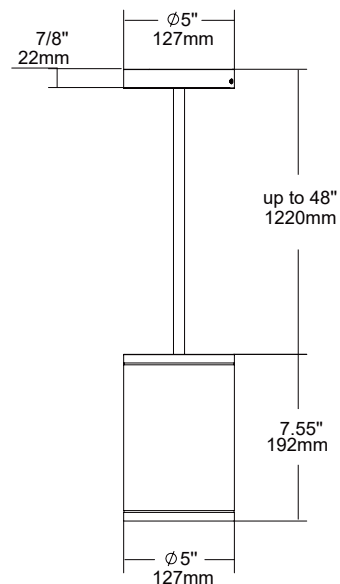
## TROUBLESHOOTING

1. Check that the line voltage at the fixture is correct. Refer to wiring directions.
2. Is the fixture grounded properly?

## DIMENSIONAL DRAWINGS



Ceiling Mount



Pendant/Cord Mount