

### Specifications



Item - 37984A

Model - PIR MOTION SENSOR FOR T-Bay  
35599D/35600C

Input Voltage - 12VDC

Input Current - 8mA

Ambient temp range - -22°F to 131°F (-30°C to 55°C)

- Dry/damp rated

- Mounting Height: 35FT Max

### Installation

Materials required for installation of sensor.



Sensor Main Body



Lens



Knurled Plastic Nut



Rubber Washer



Included but not needed for installation.

Protective Cap

#### Step 1

Turn off the power to the fixture. Remove the sensor components from the package. The protective cap needs to be removed from the sensor and will not be used for installation. Screw the lens to the sensor until it's secure and put the rubber washer onto the threaded end of the sensor. (Figure 1)

#### Step 2

With the power off to the fixture, remove the sensor cover and remove the flat cable from the back of the cover. (Figure 2) Remove the center plate that houses the sensor, by removing the 2 screws on each end. Pull the plate up until you have access to the sensor opening. (Figure 3)

Install the sensor into the opening. Use the knurled nut included with the sensor kit, and tighten the sensor to the plate until it's secure. (Figure 4)



Figure 1

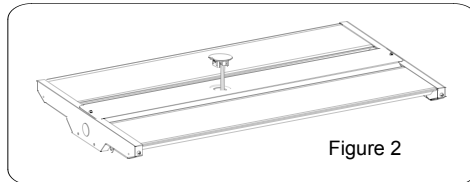


Figure 2

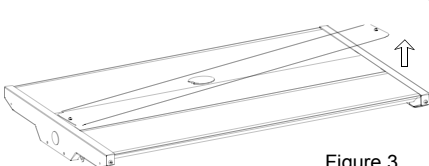


Figure 3



Figure 4

**Step 3**

Plug the connector from the fixture into the sensor, the connector is keyed and only goes in one way. (Figure 5)

Attach the center plate back to the fixture by putting the removed screws back in and tightening securely. Installation is now complete and power can be restored. (Figure 6)

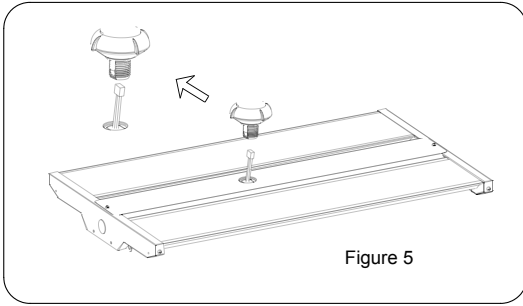


Figure 5

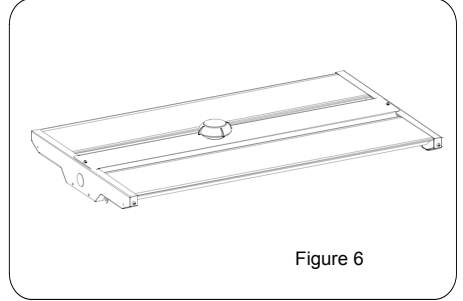
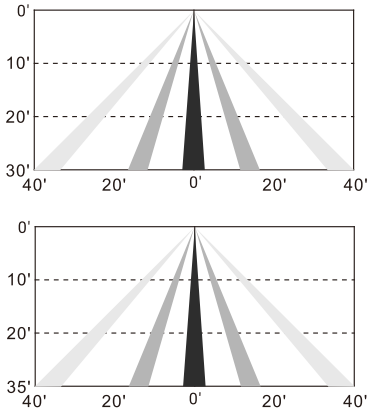
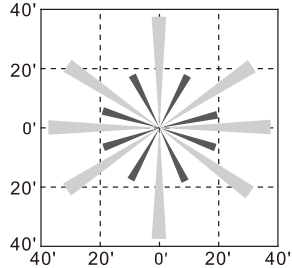


Figure 6

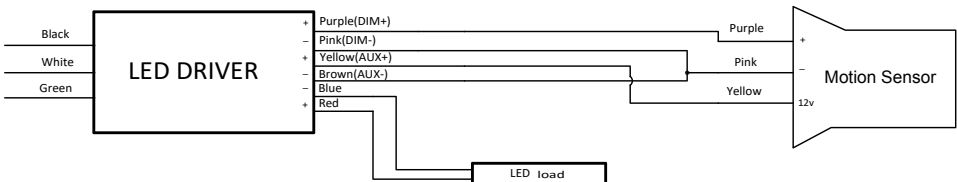
Coverage Side View



Coverage Top View



**Wiring Diagram**



Note: The fixtures have multiple LED drivers not shown in the wiring diagram.