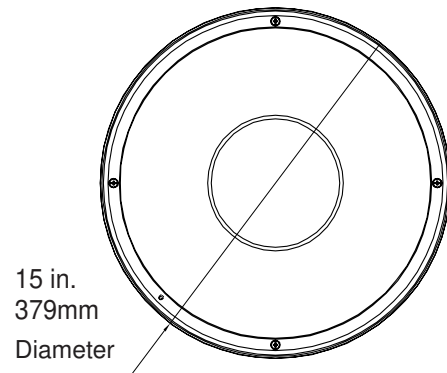
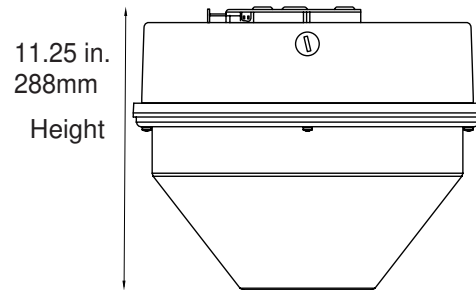


### FEATURES AND SPECIFICATIONS

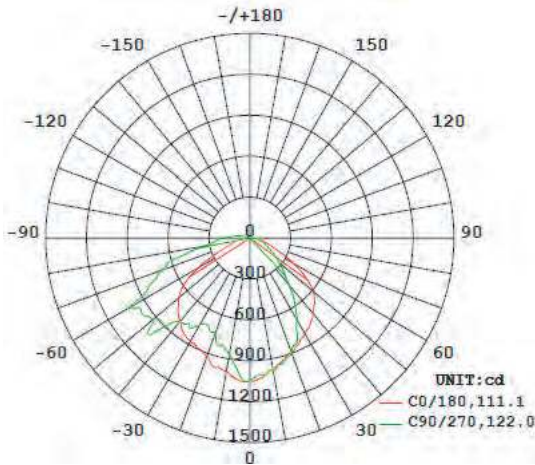
### DIMENSIONS



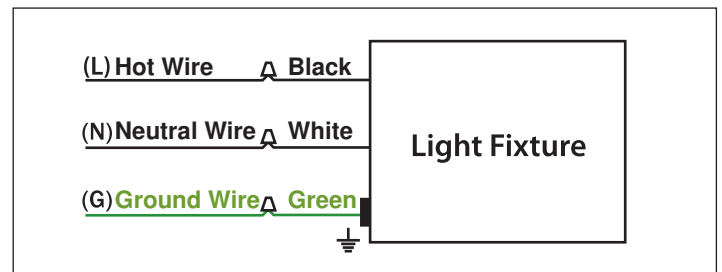
Weight: 13 lbs. (5.8967kg.)  
 High-Powered LED array  
 Die Cast Aluminum Housing  
 Impact Resistant Polycarbonate Lens  
 Operating Temperature -22°F to 122°F  
 Low Maintenance  
 IP 65 Rated  
 Limited Warranty: This fixture is warranted to be free of defects in materials and workmanship for a period of 5 years from the date of the original purchase.



### PHOTOMETRICS



### WIRING DETAILS



38700A

DPG-60LED/4K



Wattage: 60W  
 CCT: 4000K  
 CRI: 75  
 Avg Lumens: 5236  
 Voltage: 120-277V  
 Hertz: 50/60Hz  
 Current: 0.5-0.22A

**DAMAR®**

805 N Carnation  
 Aurora, MO 65605

