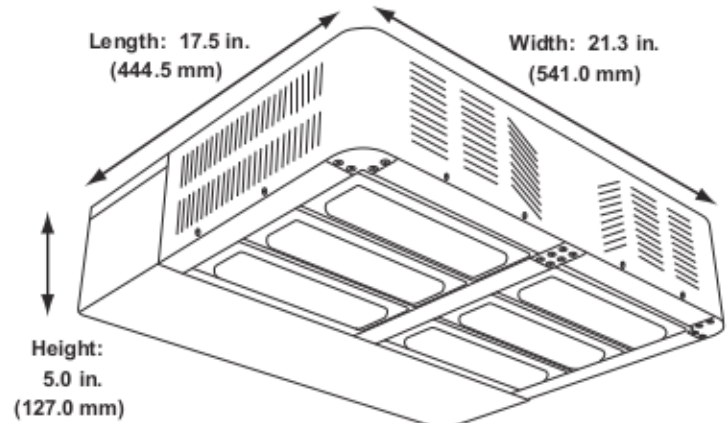


### FEATURES AND SPECIFICATIONS

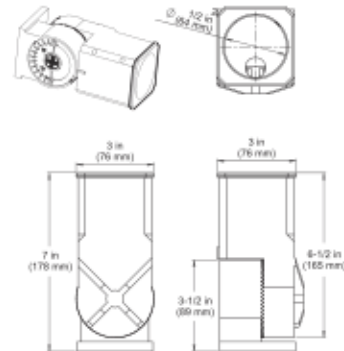


- Weight: 32.2 lbs. (14.6 kg.)
- Die Cast Aluminum Housing
- Tempered Glass Lens
- 1-10V Dimming
- Low Maintenance
- Operating Temperature -22°F to 122°F
- 50,000 Hours rated average life
- Photocell Sensor compatible.
- IP 66 Outdoor Rated
- This fixture is warranted to be free of defects in materials and workmanship for a period of 5 years from the date of the original purchase.

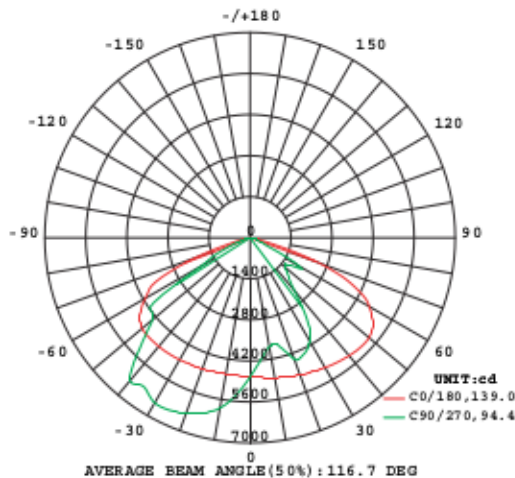
### DIMENSIONS



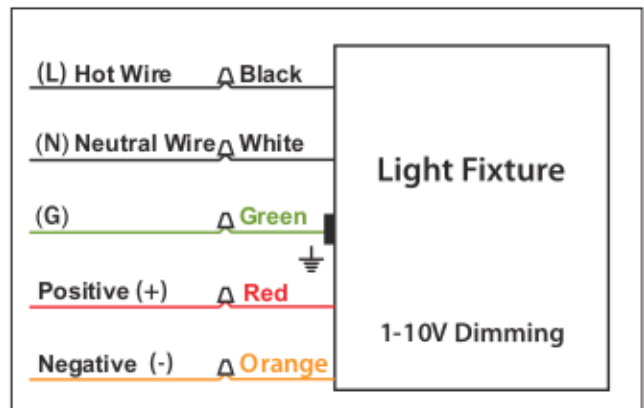
Slip Filter



### PHOTOMETRICS



### WIRING DETAILS



38708A DSB-180LED/4K

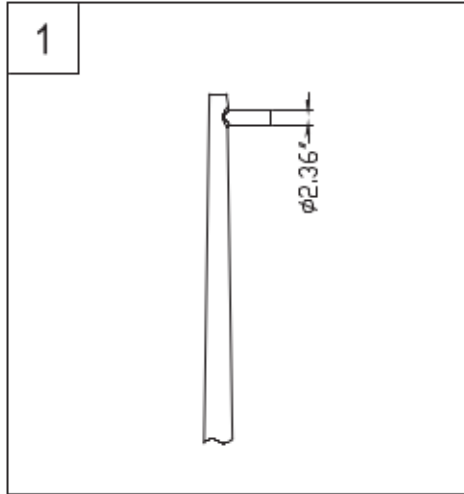


Wattage: 180W  
CCT: 4000K  
CRI: 70  
Avg Hours: 50,000  
Avg Lumens: 19080  
Voltage: 120-277V  
Hertz: 50/60Hz

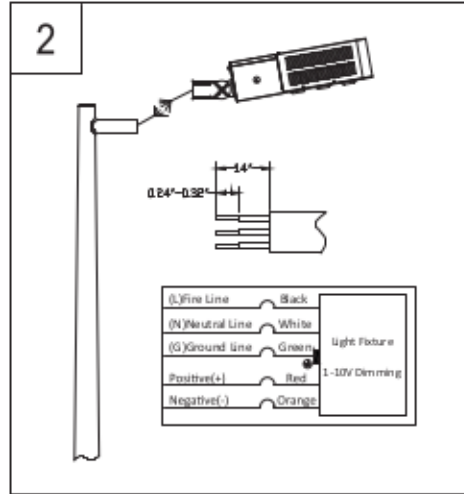
**DAMAR®**  
805 N Carnation  
Aurora, MO 65605  
Made in China



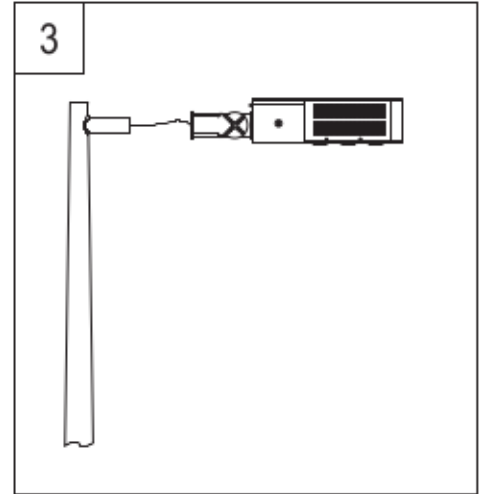
#### Slip Fitter (SF)



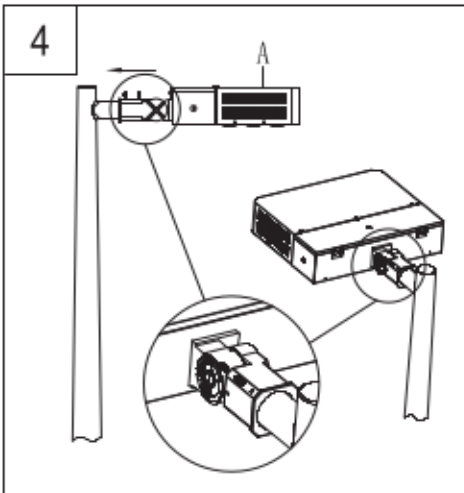
1. The SF mounting arm is for pole with 2.36 inch in diameter



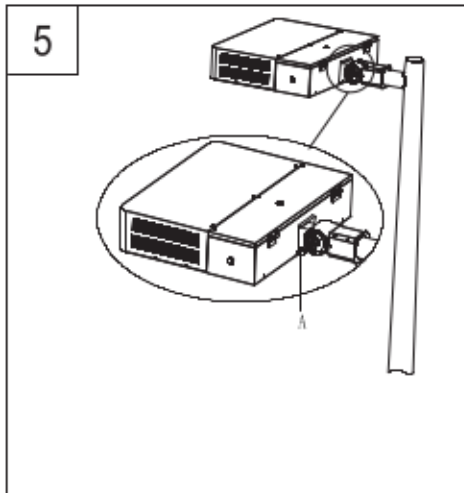
1. Cut and remove the cable rubber coating  
2. Connect the cable according to the diagram (Fire line to black wire, neutral line to white wire, ground line to green wire, positive to red wire and negative to orange wire)  
Warning: please keep the circuit open during the process



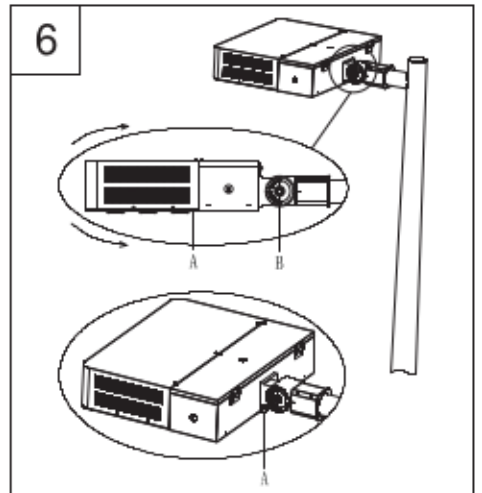
1. Put the cable into pole  
2. Connect the fixture to the pole



1. Push the fixture to the end of the pole  
2. Use the hex wrench to tighten the screw



1. Unscrew the nut A of mounting.



1. Use the hex wrench to unscrew the mounting and adjust the fixture to the right angle, then tighten the screw B again  
2. Tighten the nut A

