

## Wiring diagram

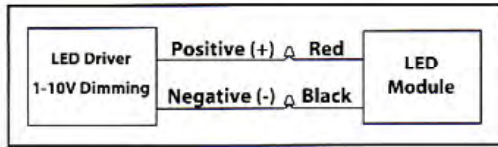


Diagram 1



Diagram 2

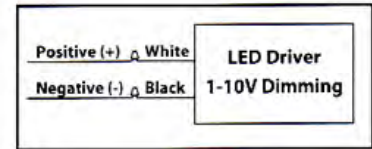


Diagram 3

## LED HID Retrofit Kit (50W, 120W)

1. Mechanical Assembly - Components such as switches, fuseholders, connectors, wiring terminals and display lamps are mounted and prevented from shifting or rotating by the use of lockwashers, starwashers, or other mounting format that prevents turning of the component.
2. Grounding - All exposed dead-metal parts and all dead-metal parts within the enclosure that are exposed to contact during any servicing operation are to be connected to the grounding lead and connected to the equipment grounding terminal.
3. Accessibility of Live Parts - All uninsulated live parts in primary circuitry are housed within a metal enclosure constructed with no openings
4. Warnings
  - a. Use only luminaire with lamp compartment dimensions as below:

Model No.	Type of recessed luminaires and min.lamp compartment dimension
LED-RKIT50HID/XXK	315*315*135mm
LED-RKIT120HID/XXK	315*315*135mm

- b. Risk of fire or electric shock. installation of this retrofit kit requires a person familiar with the construction and operation of the luminaire's electrical system and the hazard involved. if not qualified, do not attempt installation. contact a qualified electrician.
- c. Risk of fire or electric shock. install this kit only in the luminaire that has the construction features and dimensions shown in the photographs and/or drawings and where the input rating of the retrofit kit does not exceed the input rating of the luminaire..
- d. To prevent wiring damage or abrasion, do not expose wiring to edges of sheet metal or other sharp objects.
- e. This retrofit kit is accepted as a component of a luminaire where the suitability of the combination shall be determined by authorities having jurisdiction. product must be installed by a qualified electrician in accordance with the applicable and appropriate electrical codes. the installation guide does not supersede local or national regulations for electrical installations.
- f. Do not make or alter any open holes in an enclosure of wiring or electrical components during kit installation.
- g. This device is not intended for use with emergency exits" AND "ne convient pas aux sorties de secours.

### PREPARATION

1. Ensure your safety at all times. Turn OFF the power source to the fixture. Check for any other potential line voltage connections, such as timers, central photo cells...ect.
2. When Converting at the install site, please use extreme care. Cap off all wires that are potential shock hazards, and label the known wires with their identity.
3. Position the fixture so that there is room and access to open it up.
4. With access to the inner compartment of the fixture, remove the existing light source and the components that support it; consisting of, but not limited to, high bulb, ballast, wire loom, reflectors, light shield...etc.
5. Check for any preexisting sensors to be applied. If so, read to ensure that they are made to work with solid state drivers. If not, discard these sensors and replace with solid state compatible sensors, installing drivers and sensors.

### INSTALLATION

#### Installing LED module - Wall Pack

1. Prepare the Fixture for installation
2. Secure the lamp base and driver.
3. Install the retrofit kit with lamp base, and adjust the angle if needed.
4. Use the hex nut to secure the bracket.
5. Wiring the cable between driver and led module. ("+"=Red, "-"=Black)  
Wiring the dimming cable if you need. ("Dim+"=White, "Dim-"=Black)  
Keep the driver 10cm away from the LED module and close to the housing
6. Wiring the cable between Power input line and driver. ("L"=Black, "N"=White, "G"=Green)
7. Remove the LED plastic protection cover.
8. Put the cover back and screw it tightly.



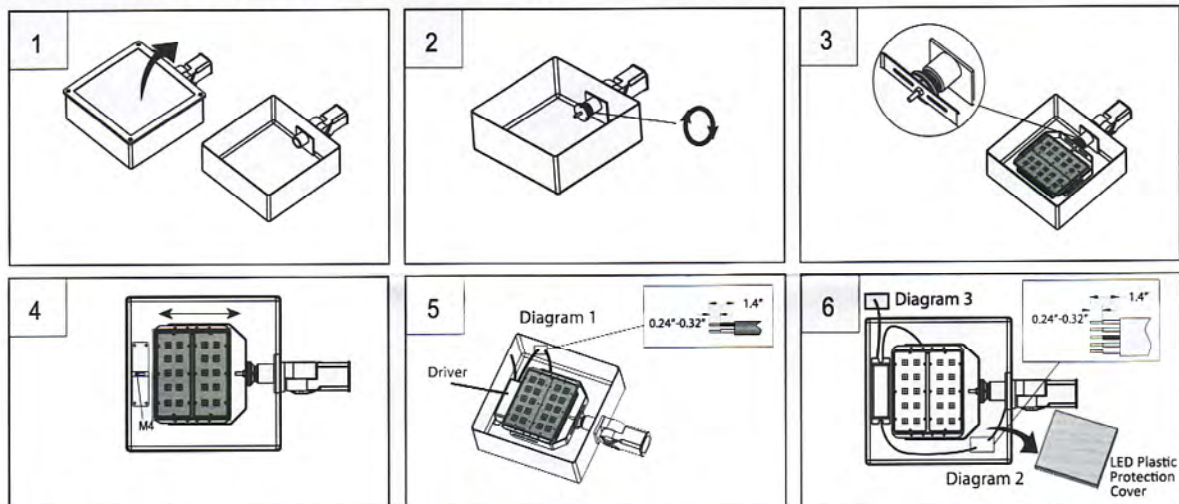
## LED HID RETROFIT KIT

### PREPARATION

1. Ensure your safety at all times. Turn OFF the power source to the fixture. Check for any other potential line voltage connections, such as timers, central photo cells...ect.
2. When Converting at the install site, please use extreme care. Cap off all wires that are potential shock hazards, and label the known wires with their identity.
3. Position the fixture so that there is room and access to open it up.
4. With access to the inner compartment of the fixture, remove the existing light source and the components that support it; consisting of, but not limited to, light bulb, ballast, wire loom, reflectors, light shield...etc.
5. For this installation, please leave the mogul socket intact.
6. Check for any preexisting sensors to be applied. If so, read to ensure that they are made to work with solid state drivers. If not, discard these sensors and replace with solid state compatible sensors, installing drivers and sensors.

### INSTALLATION

#### Installing LED module - Area Light



1. Prepare the Fixture for installation
2. Secure the E39 adapter (if needed) and U bracket in position.
3. Security the retrofit LED kit to U bracket and adjust the angle if needed.
4. Pivot or rotate the led module so that it is parallel to the fixture and occupying the center of the bulb section. Be sure the direction of the light is away from the pole this orientation will take advantage of forward light distribution which can be directed away and downward from the fixture. Be sure the cooling fan is clear of any obstructions.
5. Secure the driver on the housing and make the connections between the led module and the driver. (For 300W version, please keep the driver 10cm away from the LED module and close to the housing)
6. Reconnect the AC input wires.
7. Remove the LED protection cover  
Replace any shielding, or reflectors if necessary, reinstall the lid to the housing and secure.