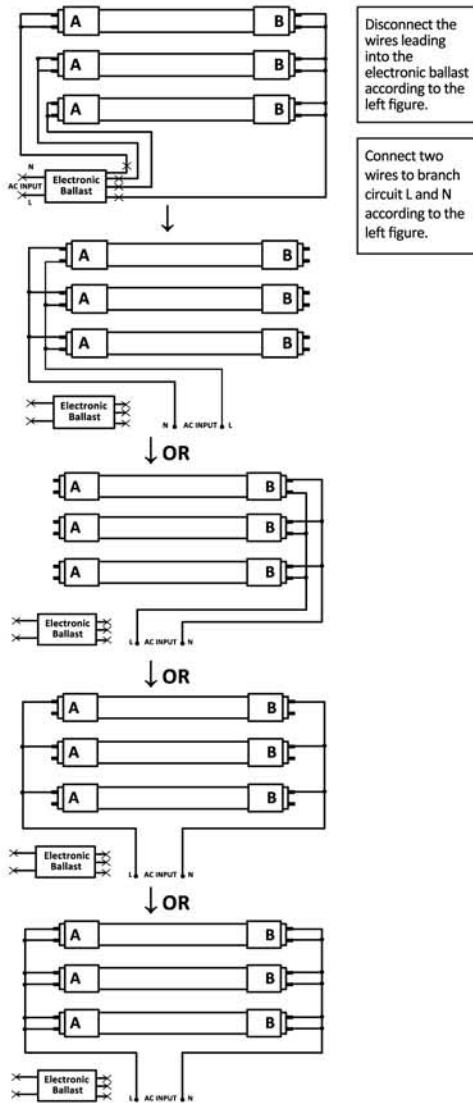
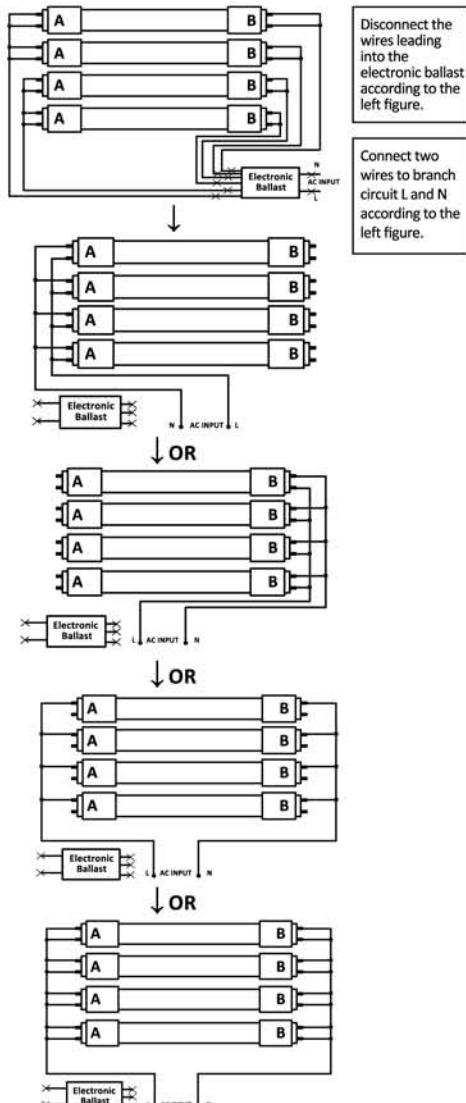


d. Retrofit luminaire with three lamps and one electronic ballast



e. Retrofit luminaire with four lamps and one electronic ballast



4. INSERT LED TUBES

- Read label on the LED tube to ensure the power end of LED is aligned with powered tube socket, then insert LED lamp in the normal way by sliding pins into sockets and rotating a quarter turn until LED tube locks in place.
- LED lamps are now fully installed.
- Replace troffer lens, if present.
- After modification completed. Attach the Replacement Marking and Cautionary Label to a visible place on the luminaire and keep it visible after installation.

5. RESTORE THE POWER OF LUMINAIRE

Restore power to circuit/luminaire and test light. If necessary, adjust position of LED tube, and enjoy your new LED tube light!

Ballast Compatibility List

MANUFACTURER	PART NUMBER	MANUFACTURER	PART NUMBER
GE	GE132MAX-H/ULTRA	ESPEN	VE2P32MVHIPL 11067
GE	GE132MAXP-L/ULTRA	ESPEN	VE2P32MVHIPE 11068
GE	GE232-MV-PS-H	ESPEN	VE2P32MVHIPHE 11069
GE	GE232-MVPS-L	ESPEN	VE2P32MVHPPE 11080
GE	GE232-MVPS-N	ESPEN	VE3P32MVHIPL 11056
GE	GE232MAX-L/ULTRA	ESPEN	VE3P32MVHIPE 11070
GE	GE232MAX-G-N	ESPEN	VE3P32MVHPPE 11083
GE	GE259MAX-G-N	ESPEN	VE4P32MVHIPE 11072
GE	GE259MAX-G-N-DIYB	ESPEN	VE4P32MVHPPE 11086
GE	GE332MAXP-L/ULTRA	UNIVERSAL	B232IUNVEL-N
GE	GE332MAXP-N/ULTRA	UNIVERSAL	B232IUNVHP-N
GE	GE332-MVPS-L	UNIVERSAL	B232PUNVHE-B
GE	GE432-120-RES	UNIVERSAL	B332IUNVHP-A
GE	GE432-120RES-B	UNIVERSAL	B432IUNVHE-A
GE	GE432MAXPH/ULTRA	UNIVERSAL	B432IUNVHP-A
GE	GE432MAXP-L/ULTRA	UNIVERSAL	B432PUNVHE-A
GE	GE432MAX-G-N	KEYSTONE	KTEB-228-1-TP-PH-SL/B
GE	GE432MAXG-N-DIYL	KEYSTONE	KTEB-232RIS-1-TP-SL/J
GE	GE232-MV-N	KEYSTONE	KTEB-232-UV-IS-N-P
PHILIPS ADVANCE	IOPA-1P32-N	KEYSTONE	KTEB-332-UV-IS-N-P
PHILIPS ADVANCE	ICN-2P32-N	KEYSTONE	KTEB-432RIS-1-TP-SL
PHILIPS ADVANCE	IOP-2P32-N	KEYSTONE	KTEB-432-UV-IS-N-P
PHILIPS ADVANCE	IOP-2P59-N	HOWARD INDUSTRIES	EP2/32IS/MV/MC/HE
PHILIPS ADVANCE	ICN-3P32-N	HOWARD INDUSTRIES	EPL2/32IS/MV/MC/HE
PHILIPS ADVANCE	IOPA-3P32-LW-N	HOWARD INDUSTRIES	EPL3/32IS/MV/SC/HE
PHILIPS ADVANCE	ICN-4P32-N	HOWARD INDUSTRIES	EPL4/32IS/MV/SC/HE
PHILIPS ADVANCE	IOP-4PSP32-SC	PLUSRITE	BAF232IS/MV
PHILIPS ADVANCE	IOP-4PSP32-LW-SC	PLUSRITE	BAF332IS/MV
PHILIPS ADVANCE	REB-4P32-SC	PLUSRITE	BAF432IS/MV
PHILIPS ADVANCE	VEL-4P32-SC	DAMAR	1688B
OSRAM SYLVANIA	QHE 1X32T8/UNV ISL-SC	DAMAR	3654C
OSRAM SYLVANIA	QHE 1X32T8/UNV ISN-SC	HALCO	EP232IS/MV/HE
OSRAM SYLVANIA	QTP 2X32T8/UNV ISN-SC	HALCO	EP432IS/L/MV/HE
OSRAM SYLVANIA	QHE 2X32T8/UNV PSN-MC	ROBERTSON	ISU232T8120 3P20116
OSRAM SYLVANIA	QHE 2X32T8/UNV PSX-MC	ROBERTSON	IEA432T8120N 3P20135
OSRAM SYLVANIA	QHE 2X59T8/UNV ISL-SC	SUNLITE	40155-SU-SB/232/MV
OSRAM SYLVANIA	QHE 2X59T8/UNV ISN-SC	EIKO	PM-2X32T8-UNV-IS
OSRAM SYLVANIA	QTP 2X59T8/UNV ISN-SC	ACT	ACT4P32ISUNVE
OSRAM SYLVANIA	QTP 4X32T8/UNV ISN-SC		
OSRAM SYLVANIA	QHE 4X32T8/UNV PSX-SC		

***The LED T8 lamps and the compatible ballasts shown on the chart, have been tested internally by the lamp manufacturer only and not the ballast manufacturer. We are continually testing our LED lamps on various popular ballasts. We will continue to update this list as additional models are tested. If the ballast does not appear on this list, it does not necessarily mean the model is not compatible with the LED T8 lamps. It may just be that the model has not been tested yet. Please contact us about ballasts that are not shown on this list.