



## Installation Instructions For LED Panels

### Wiring for LED Panel



Photos for illustration purposes only. Your model may vary.

#### WARNING:

1. TO BE INSTALLED ONLY BY A LICENSED ELECTRICIAN.
2. TO BE INSTALLED AND USED ONLY IN ACCORDANCE WITH ALL APPROPRIATE ELECTRICAL CODES AND REGULATIONS.
4. NOT FOR USE WITH OR IN EMERGENCY LIGHT FIXTURES OR APPLICATIONS.
5. USE ONLY IN DRY INDOOR LOCATIONS AND APPLICATIONS.

Complies with Part 15 of FCC. Operation is subject to the following two conditions:

- (1) This device may not cause harmful interference, and (2) This device must accept any interference received, including interference that may cause undesired operation.

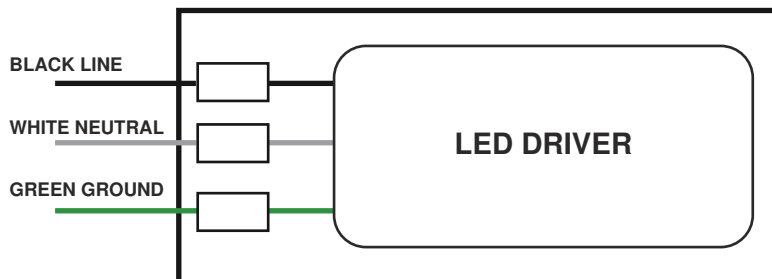




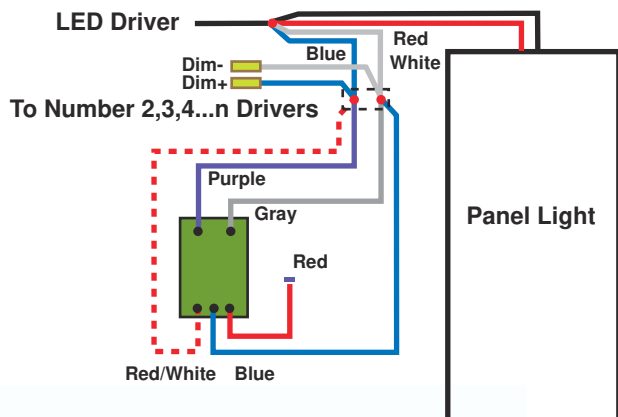
## Installation Instructions For LED Panels

### Wiring for LED Panel

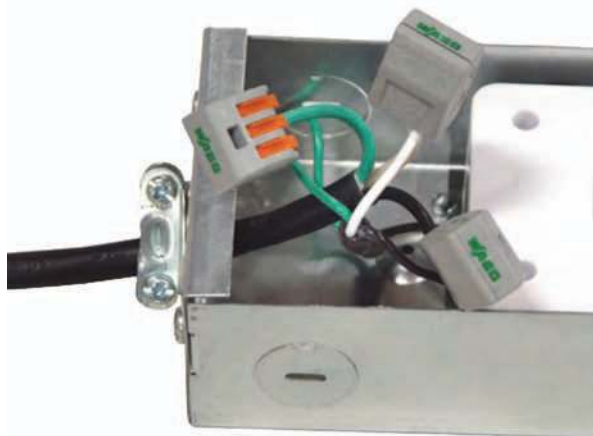
**Warning - Risk of fire or electric shock**  
Contact a qualified electrician for installation



Voltage Input: 120-277V 50/60 Hz  
Operating Temp: -40 F to 104F



Remove two (2) screws holding access plate and install appropriate strain relief for your installation through knockouts.



With power off at the breaker, feed power leads through strain relief and cover plate and secure.  
Connect power leads to driver according to wiring diagram.



Reinstall cover plate on the driver housing and secure in place with two (2) screws.  
Secure the product to ceiling T-bars and attach to the ceiling with aircraft cable or wires capable of supporting 100 lbs. for hanging mount.



## Installation Instructions For LED Panels

### Warning

Inherently protected  
 Vapor barrier must be suitable for 90°C  
 Min 90°C Supply Conductors  
 Suitable above ceiling required  
 Suitable for damp locations  
 This product to be installed in accordance  
 with wiring code by a professional electrician

### Installation Selection Chart

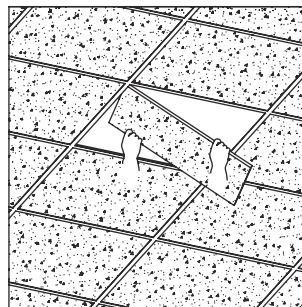
Size (feet)	Power (Watts)	Installation			
		Wall Mount	Recessed Mount	Suspension	Ceiling Mount
2x2	45W		✓	✓	
2x4	53W		✓	✓	
2x2	30W		✓	✓	

## Recessed Mount

1. Compare the fitting bag with components list.
2. Compare with the specification as follows to determine if the ceiling meets installation requirements.

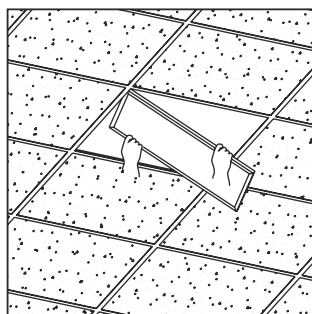
SPEC	Size/mm	External size of Tchannel/mm	Internal size of Tchannel/mm	N.W./Kg
30120	300+1(L) 1210+1(W)	280+1(L) 1190+1(W)	303+1(L) 1213+1(W)	4
6060	600+1(L) 600+1(W)	580+1(L) 580+1(W)	603+1(L) 603+1(W)	4
60120	600+1(L) 1210+1(W)	580+1(L) 1190+1(W)	603+1(L) 1213+1(W)	7.5

3. Remove the ceiling tile.

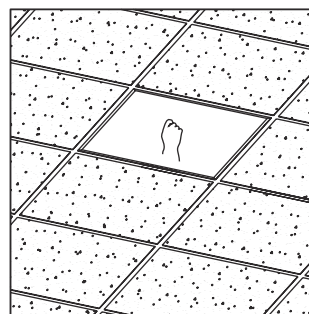


Please confirm the dimensions of the ceiling channel and the lamp match.

Please confirm the ceiling load bearing is adequate to support the lamp.



4. Tilt the lamp front down 30-45° and place into the ceiling channel.



5. Check that the lamp has been fixed in the ceiling channel.

The panel must be fully recessed into the channel. Insure there is space for adjusting the lamp. Do not allow more than 3mm space or the lamp may fall.