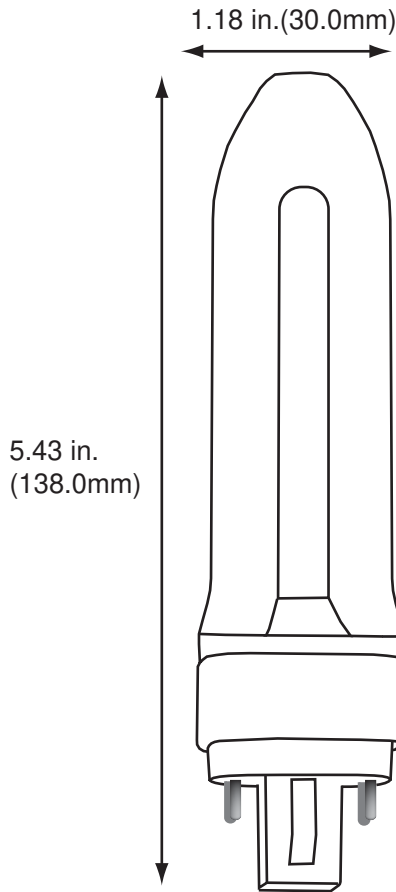


LED TT 4-PIN DIRECT REPLACEMENT

LED10TT/830/4P/DR
 LED10TT/835/4P/DR
 LED10TT/841/4P/DR

- UL Certified
- *Direct Replacement Mode (**Mode I**) Plug-n-Play replacement
 Input Voltage: Determined by fluorescent ballast
Electronic ballast compatible
- 25,000 Avg Life Hours
- G24Q 4-PIN Base
- TT Bulb Shape
- 10 Watts



10 Watts

3000K

10 Watts

3500K

10 Watts

4100K

3

YEAR

LIMITED WARRANTY

Item Number	Avg Watts	Voltage	Base	Kelvin Color	Avg Life Hours	Average Lumens	Length	UL
33612A	10	Ballast	4-PIN	3000K	25,000	800LM	5.43 in. (138.0mm)	Yes
33612B	10	Dependent	4-PIN	3500K	25,000	800LM	5.43 in. (138.0mm)	Yes
33612C	10		4-PIN	4100K	25,000	800LM	5.43 in. (138.0mm)	Yes

Phone: (800) 238-9080
 Fax: (877) 608-0597

Damar Worldwide 4 LLC
 805 N Carnation
 Aurora, MO 65605

dwwsales@damarww.com
 www.damarww.com